

UNIT HEATERS

GAS-FIRED INDOOR HEATING EQUIPMENT REPLACEMENT PARTS CATALOG

INDEX

WARRANTY INFORMATION – RETURN GOODS 2

“QV” HEAT EXCHANGERS 3

BURNER DRAWERS 4

DRAFT DIVERTERS 5, 6

FLUE COLLECTORS 7

PROPELLER PARTS 8

ENERPAK POWER VENT ASSEMBLY PARTS 9

BLOWER MOTORS 10

BLOWER PARTS 11

SHEET METAL PARTS 12, 13, 14, 15

DUCT FURNACE PARTS 16, 17

SEPARATED COMBUSTION PARTS 18

CABINET BLOWER (CAB) PARTS 19

COMMON STANDING PILOT PARTS 20, 21, 22

ELECTRONIC IGNITION PARTS 23, 24

CONVERSION KITS 25

TRANSFORMERS & THERMOSTATS 25

OPTIONAL PARTS 26

DRAFTOR KITS 27

FIELD INSTALLED ACCESSORIES 28

COMPONENT IDENTIFICATION GUIDE 29

TERMS 30

IMPORTANT

WHEN ORDERING PARTS, PLEASE
 SPECIFY UNIT MODEL NO. AND SERIAL NO.

IMPORTANT WARRANTY INFORMATION

If you are ordering a replacement part for a unit which you believe to be under warranty, the process is as follows:

- Provide Sterling with a description of the part or assembly needed and the model and serial number of the unit which experienced failure. If there is a question on the warranty, we can answer it at this point.
- We will enter your order and issue you a R.G.A. (Return Goods Authorization), if applicable, with instructions on how and where to send the defective parts.
- Your invoice will indicate “no charge” pending the return of the applicable defective parts. The invoice may list the R.G.A number and state: “a R.G.A. has been issued. Re invoicing will occur if no receipt in 30 days.” However, some parts are to be field scrapped, which the invoice will state accordingly. If parts are received by us within the 30 days, and confirmed as “defective in-warranty”, the transaction will be closed.

If we do not receive the parts within 30 days or our inspection reveals a non-warranty condition, then a subsequent invoice will be generated indicating the appropriate cost and we will no longer accept returns on that R.G.A.

In order to insure the orderly processing of your warranty claim it is **MANDATORY** that certain paper work accompany any and all goods returned to Sterling. It is also mandatory that goods be sent to the proper location.

In order to assure proper handling of these goods we insist that under all circumstances we must formally authorize the return of material to our various facilities. Any material returned without authorization will not be accepted.

In order to insure that your properly authorized returns are accepted at our plant, we ask that you clearly mark any and all shipping papers with an R.G.A. number; we will not accept shipments that do not clearly show R.G.A. number on the outside of the box or crate!

All returns to be shipped Freight Prepaid. Collect Shipments will not be accepted.

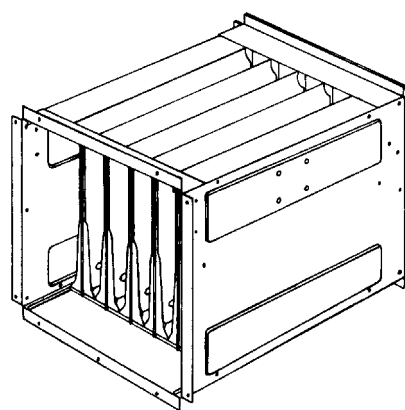
CONSULT OUR CUSTOMER SERVICE DEPT. FOR ANY REPLACEMENT PARTS NOT LISTED IN THIS PUBLICATION. LIMITED AVAILABILITY ON CERTAIN OBSOLETE EQUIPMENT.

TEL. 413-564-5540 FAX# 413-562-5311

“QV” Series Heat Exchanger

Usage	Unit Size	Part Number		
		Aluminized Steel	409 Stainless Steel	321 Stainless Steel
QVF,	30	602R00330-130	602R00330-330	N/A
QVEF	45	602R00330-145	602R00330-345	N/A
	60	602R00330-160	602R00330-360	N/A
	75	602R00330-175	602R00330-375	N/A
	100	602R05924-104	602R05924-304	602R05924-204
QVF	125	602R05924-105	602R05924-305	602R05924-205
	150	602R05922-106	602R05922-306	602R05922-206
QVF	175	602R05922-107	602R05922-307	602R05922-207
	200	602R05922-108	602R05922-308	602R05922-208
	225	602R05922-109	602R05922-309	602R05922-209
	250	602R05922-110	602R05922-310	602R05922-210
	300	602R05922-112	602R05922-312	602R05922-212
	350	602R05922-114	602R05922-314	602R05922-214
	400	602R05922-116	602R05922-316	602R05922-216
	QVB,	100	602R05927-104	602R05927-304
QVBC	125	602R05927-105	602R05927-305	602R05927-205
QVD,	100	602R05925-104	602R05925-304	602R05925-204
QVED	125	602R05925-105	602R05925-305	602R05925-205
QVB, QVBC, QVD, QVED	150	602R05925-106	602R05925-306	602R05925-206
	175	602R05925-107	602R05925-307	602R05925-207
	200	602R05925-108	602R05925-308	602R05925-208
	225	602R05925-109	602R05925-309	602R05925-209
	250	602R05925-110	602R05925-310	602R05925-210
	300	602R05925-112	602R05925-312	602R05925-212
	350	602R05925-114	602R05925-314	602R05925-214
	400	602R05925-116	602R05925-316	602R05925-216
QVEF,	100	602R05928-104	602R05928-304	602R05928-204
QVEB	125	602R05928-105	602R05928-305	602R05928-205
QVEB,	150	602R05926-106	602R05926-306	602R05926-206
QVEF	175	602R05926-107	602R05926-307	602R05926-207
	200	602R05926-108	602R05926-308	602R05926-208
	225	602R05926-109	602R05926-309	602R05926-209
	250	602R05926-110	602R05926-310	602R05926-210
	300	602R05926-112	602R05926-312	602R05926-212
	350	602R05926-114	602R05926-314	602R05926-214
	400	602R05926-116	602R05926-316	602R05926-216
	QVS,	100	602R05929-104	602R05929-304
QVES	125	602R05929-105	602R05929-305	602R05929-205
	150	602R05929-106	602R05929-306	602R05929-206
	175	602R05929-107	602R05929-307	602R05929-207
	200	602R05929-108	602R05929-308	602R05929-208
	225	602R05929-109	602R05929-309	602R05929-209
	250	602R05929-110	602R05929-310	602R05929-210
	300	602R05929-112	602R05929-312	602R05929-212
	350	602R05929-114	602R05929-314	602R05929-214
400	602R05929-116	602R05929-316	602R05929-216	

Usage	Unit Size	Part Number			
		Aluminized Steel	409 Stainless Steel	321 Stainless Steel	
QVSF,	100	602R05930-104	602R05930-304	602R05930-204	
QVSB	125	602R05930-105	602R05930-305	602R05930-205	
	150	602R05931-106	602R05931-306	602R05931-206	
	175	602R05931-107	602R05931-307	602R05931-207	
	200	602R05931-108	602R05931-308	602R05931-208	
	225	602R05931-109	602R05931-309	602R05931-209	
	250	602R05931-110	602R05931-310	602R05931-210	
	300	602R05931-112	602R05931-312	602R05931-212	
	350	602R05931-114	602R05931-314	602R05931-214	
	400	602R05931-116	602R05931-316	602R05931-216	
	QVSD	100	602R05933-104	602R05933-304	602R05933-204
		125	602R05933-105	602R05933-305	602R05933-205
		150	602R05933-106	602R05933-306	602R05933-206
175		602R05933-107	602R05933-307	602R05933-207	
200		602R05933-108	602R05933-308	602R05933-208	
225		602R05933-109	602R05933-309	602R05933-209	
250		602R05933-110	602R05933-310	602R05933-210	
300		602R05933-112	602R05933-312	602R05933-212	
350	602R05933-114	602R05933-314	602R05933-214		
400	602R05933-116	602R05933-316	602R05933-216		



TYPICAL HEAT EXCHANGER

LEGEND:

- QVF = “QV2” Series Prop
- QVB = “QV2” Series Blower
- QVBC = “QV2” Series Cabinet Blower
- QVD = “QV2” Series Duct (Bottom Access)
- QVEB = “QV2” Series Enerpak Blower
- QVED = “QV2” Series Enerpak Duct (Bottom Access)
- QVEF = “QV2” Series Enerpak Prop
- QVS = “QV2” Series Duct (Side Access)
- QVES = “QV2” Series Enerpak Duct (Side Access)
- QVSB = “QV2” Series Separated Combustion Prop
- QVSD = “QV2” Series Separated Combustion Duct

* Replacement includes required baffles and drawer tracks where applicable

IMPORTANT: When ordering parts, please provide model and serial number.

“QV” Series Burner Drawers (Prop & Blower)

Usage	Unit Size	Part Number
		Burner Drawer Shell Only
QVF, QVEF, QVB, QVEB, QVBC Only	100	502R06266-004
	125	502R06266-005
	150	502R06267-006
	175	502R06267-007
	200	502R06267-008
	225	502R06268-009
	250	502R06268-010
	300	502R06268-012
	350	502R06268-014
	400	502R06268-016

LEGEND:

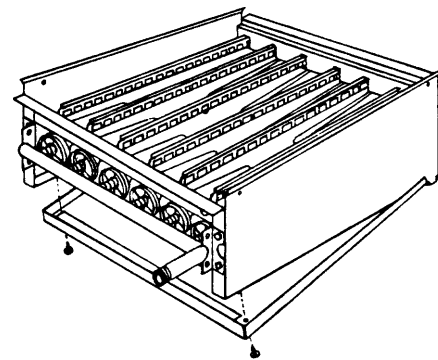
QVF = “QV2” Series Prop
 QVB = “QV2” Series Blower
 QVBC = “QV2” Series Cabinet Blower
 QVEB = “QV2” Series Enerpak Blower
 QVEF = “QV2” Series Enerpak Prop

* Burner drawer assembly includes shell, main burner set, manifold, orifices, shutters, springs.

All orifices are for standard elevations 0-2,000 ft.

See page 16-17 for Duct Furnace Burner Drawers.

Unit Size	Burner Drawer Complete Assemblies*	
	Aluminized Burners Natural Gas	Aluminized Burners LP Gas
	100	502R01778-004
125	502R01778-005	502R01778-105
150	502R01778-006	502R01778-106
175	502R01778-007	502R01778-107
200	502R01778-008	502R01778-108
225	502R01778-009	502R01778-109
250	502R01778-010	502R01778-110
300	502R01778-012	502R01778-112
350	502R01778-014	502R01778-114
400	502R01778-016	502R01778-116



**STANDARD & ENERPAK
 BURNER DRAWER**

Unit Size	Burner Drawer Complete Assemblies*	
	409 SS Burners Natural Gas	409 SS Burners LP Gas
	100	502R01778-204
125	502R01778-205	502R01778-305
150	502R01778-206	502R01778-306
175	502R01778-207	502R01778-307
200	502R01778-208	502R01778-308
225	502R01778-209	502R01778-309
250	502R01778-210	502R01778-310
300	502R01778-212	502R01778-312
350	502R01778-214	502R01778-314
400	502R01778-216	502R01778-316

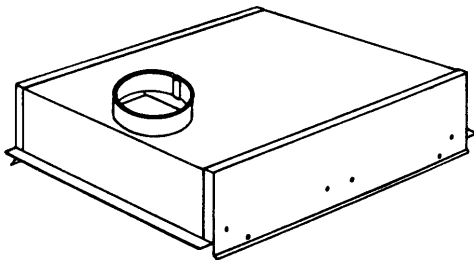
“QV” Series Draft Diverters

Usage	Unit Size	Draft Diverters Replacement Part Numbers		
		Orientation	Aluminized Steel	409 Stainless Steel
QVF	30	Vertical*	507R00339-030	N/A
	45	“	507R00339-045	N/A
	60	“	507R00339-060	N/A
	75	“	507R00339-060	N/A
QVF, QVB, QVBC	100	Vertical*	507R01783-104	507R01783-304
	125	“	507R01783-105	507R01783-305
	150	Vertical	507R01784-106	507R01784-306
	175	“	507R01784-107	507R01784-307
	200	“	507R01784-108	507R01784-308
	225	“	507R01784-109	507R01784-309
	250	“	507R01784-110	507R01784-310
	300	“	507R01785-112	507R01785-312
	350	“	507R01785-114	507R01785-314
	400	“	507R01788-316	507R01788-716
QVF, QVB	150	Horizontal*	507R01786-106	507R01786-306
	175	“	507R01786-107	507R01786-307
	200	“	507R01786-108	507R01786-308
	225	“	507R01786-109	507R01786-309
	250	“	507R01786-110	507R01786-310
	300	“	507R01787-112	507R01787-312
	350	“	507R01787-114	507R01787-314
	400	“	507R01788-116	507R01788-516

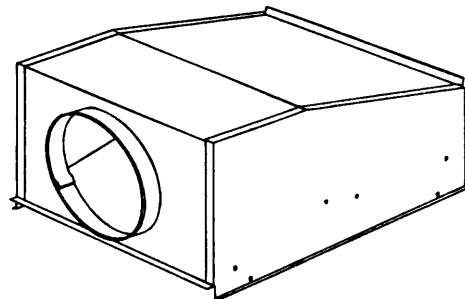
LEGEND:

QVF = “QV2” Series Prop
 QVB = “QV2” Series Blower
 QVBC = “QV2” Series Cabinet Blower

* Indicates standard part on unit.



**STANDARD DRAFT DIVERTER
UNIT SIZES 30 THRU 125**



**STANDARD DRAFT DIVERTER
UNIT SIZES 150 THRU 400**

“QV” Series Draft Diverters *continued*

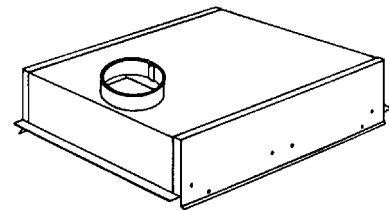
Usage	Unit Size	Duct Furnace Draft Diverters Replacement Part Numbers		
		Orientation	Aluminized Steel	409 Stainless Steel
QVD, QVS	100	Horizontal R.H.	N/A	N/A
	125	“	N/A	N/A
	150	Horizontal R.H.*	507R01786-106	507R01786-306
	175	“	507R01786-107	507R01786-307
	200	“	507R01786-108	507R01786-308
	225	“	507R01786-109	507R01786-309
	250	“	507R01786-110	507R01786-310
	300	“	507R01787-112	507R01787-312
	350	“	507R01787-114	507R01787-314
	400	“	507R01788-116	507R01788-516
QVD, QVS	100	Vertical R.H.*	507R01783-104	507R01783-304
	125	“	507R01783-105	507R01783-305
	150	Vertical R.H.	507R01784-106	507R01784-306
	175	“	507R01784-107	507R01784-307
	200	“	507R01784-108	507R01784-308
	225	“	507R01784-109	507R01784-309
	250	“	507R01784-110	507R01784-310
	300	“	507R01785-112	507R01785-312
	350	“	507R01785-114	507R01785-314
	400	“	507R01788-316	507R01788-716
QVS	100	Horizontal L.H.	N/A	N/A
	125	“	N/A	N/A
	150	“	507R01786-206	507R01786-406
	175	“	507R01786-207	507R01786-407
	200	“	507R01786-208	507R01786-408
	225	“	507R01786-209	507R01786-409
	250	“	507R01786-210	507R01786-410
	300	“	507R01787-212	507R01787-412
	350	“	507R01787-214	507R01787-414
	400	“	507R01788-216	507R01788-616
QVS	100	Vertical L.H.	507R01783-204	507R01783-404
	125	“	507R01783-205	507R01783-405
	150	“	507R01784-206	507R01784-406
	175	“	507R01784-207	507R01784-407
	200	“	507R01784-208	507R01784-408
	225	“	507R01784-209	507R01784-409
	250	“	507R01784-210	507R01784-410
	300	“	507R01785-212	507R01785-412
	350	“	507R01785-214	507R01785-414
	400	“	507R01788-416	507R01788-816

LEGEND:

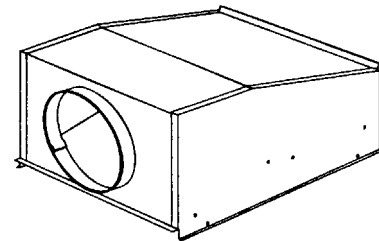
QVD = “QV2” Series Duct
(Bottom Access)

QVS = “QV2” Series Duct
(Side Access)

* Indicates standard part on unit.



**STANDARD DRAFT DIVERTER
UNIT SIZES 100 THRU 125**



**STANDARD DRAFT DIVERTER
UNIT SIZES 150 THRU 400**

“QV” Series Flue Collectors

Usage	Unit Size	Enerpak Flue Collectors Replacement Part Numbers		
		Orientation	Aluminized Steel	409 Stainless Steel
QVEF	30	Horizontal*	507R01102-030	N/A
	45	“	507R01102-045	N/A
	60	“	507R01102-060	N/A
	75	“	507R01102-060	N/A
QVEF, QVEB	100	Horizontal*	507R01109-004	507R01109-304
	125	“	507R01109-005	507R01109-305
	150	“	507R01110-006	507R01110-306
	175	“	507R01110-007	507R01110-307
	200	“	507R01110-008	507R01110-308
	225	“	507R01110-009	507R01110-309
	250	“	507R01110-010	507R01110-310
	300	“	507R01110-012	507R01110-312
	350	“	507R01110-014	507R01110-314
	400	“	507R01110-016	507R01110-316

LEGEND:

QVEB = “QV2” Series Enerpak Blower

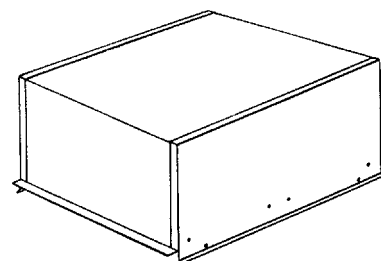
QVEF = “QV2” Series Enerpak Prop

QVED = “QV2” Series Enerpak Duct
(Bottom Access)

QVES = “QV2” Series Enerpak Duct
(Side Access)

* Indicates standard part on unit.

Usage	Unit Size	Enerpak Duct Furnace Flue Collectors Replacement Part Numbers		
		Orientation	Aluminized Steel	409 Stainless Steel
QVED, QVES	100	Horizontal*	507R02685-004	507R02685-304
	125	“	507R02685-005	507R02685-305
	150	“	507R01110-006	507R01110-306
	175	“	507R01110-007	507R01110-307
	200	“	507R01110-008	507R01110-308
	225	“	507R01110-009	507R01110-309
	250	“	507R01110-010	507R01110-310
	300	“	507R01110-012	507R01110-312
	350	“	507R01110-014	507R01110-314
	400	“	507R01110-016	507R01110-316
QVED, QVES	100	Vertical	507R02687-104	507R02687-304
	125	“	507R02687-005	507R02687-305
	150	“	507R02690-106	507R02690-306
	175	“	507R02690-007	507R02690-307
	200	“	507R02690-108	507R02690-308
	225	“	507R02690-009	507R02690-309
	250	“	507R02690-110	507R02690-310
	300	“	507R02690-112	507R02690-312
	350	“	507R02690-114	507R02690-314
	400	“	507R02690-116	507R02690-316



**ENERPAK
FLUE COLLECTOR**

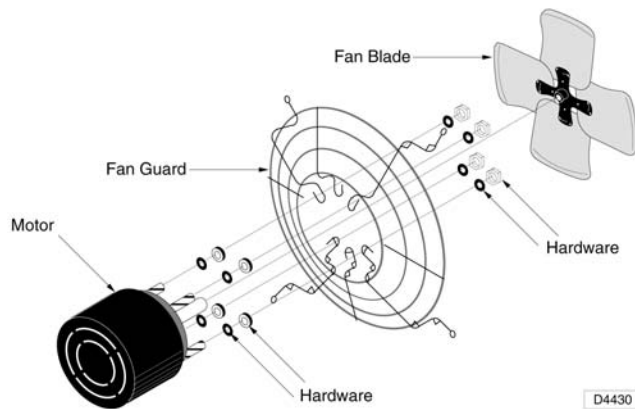
“QV” Series Propeller Parts

Unit Size	QVF, QVEF and QVSF** Units Part Numbers					
	Open Drip Proof* Fan Motor	Totally Enclosed Fan Motor	Fan Blade† For Units Manufactured AFTER June 11, 2007	Standard Fan Guard	OSHA** Fan Guard	Fan Hardware
30	J31R04090	J31R01871	J34R06999-003	253R00250	J32R04837	253R01422-001
45			J34R06999-007	253R01873-001	J32R04840	253R01423-001
60						
75						
100	J31R04091	J31R01872	J34R06999-010	253R01873-001	J32R04840	253R01423-001
125	J31R04092	J31R03086	J34R06999-103			
150	J31R04093-002	J31R01694	J34R06999-104	253R01874-001	J32R04843	253R01423-001 (2)
175	J31R04094-002		J34R06999-105			
200						
225						
250						
300	J31R04093-002 (2)	J31R01694 (2)	J34R06999-104 (2)	253R01873-001 (2)	J32R04840 (2)	253R01423-001 (2)
350	J31R04094-002 (2)		J34R06999-105 (2)	253R01874-001 (2)	J32R04843 (2)	
400						

*Standard on units manufactured after September 1995.

**QVSF 100 require OSHA guard M32R06163-004.

†Units manufactured **PRIOR** to June 11, 2007 may require Fan/Blade Motor Kit - see Fan Blade Replacement Table below.



QVF, QVEF and QVSF Fan Blade Replacements Only				
FOR UNITS MANUFACTURED PRIOR TO JUNE 11, 2007				
Unit Size	For Units Equipped with Standard Open Drip Proof Fan Motors		For Units Equipped with Optional Totally Enclosed Fan Motors	
	Fan Blade Only	Fan Blade/Motor Kit	Fan Blade Only	Fan Blade/Motor Kit
30	J34R06999-003	Not Required	J34R06999-003	Not Required
45				
60*	Kit Required >	253R08410-001	Kit Required >	253R08410-002
75*				
100*	Kit Required >	253R08411-001	Kit Required >	253R08411-002
125	J34R06999-103	Not Required	J34R06999-103	Not Required
150*	Kit Required >	253R08412-001	Kit Required >	253R08412-002
175*	J34R06999-105	Not Required	Kit Required >	253R08413-002
200*				
225*				
250*				
300*	Kit Required >	253R08412-001 (2)	Kit Required >	253R08412-002 (2)
350*	J34R06999-105 (2)	Not Required	Kit Required >	253R08413-002 (2)
400*				

*Date new blades put into production: **60/75** - 6/11/07, **100** - 5/24/07, **150,300** - 4/30/07, **175/250, 350, 400** - 3/2/07

NOTE: Kits contain Fan Blade and Fan Motor supplied in (2) boxes.

“QV” Series Enerpak Power Vent Parts

Usage	Unit Size	Part Numbers	
		Power Vent Assembly Complete*	†Pressure Switch Kit***
QVEF, QVEB	30	262R06389	261R06830-003
	45		
	150		
	175		
	200		
	225		
	250		
QVEF, QVEB	300	262R06389	261R06830-002
	60		
	75		
	100		
	125		
QVEF, QVEB	350	262R06389	261R06830-001
	400		
QVED, QVES	100 - 400	262R06389	261R06830-001

LEGEND:

QVEB = “QV2” Series Enerpak Blower

QVED = “QV2” Series Enerpak Duct (Bottom Access)

QVES = “QV2” Series Enerpak Duct (Side Access)

QVEF = “QV2” Series Enerpak Prop

* Contains housing, blower wheel, motor, mounting bracket (for air pressure switch), sensing tube, junction box base with motor relay and stack assembly.

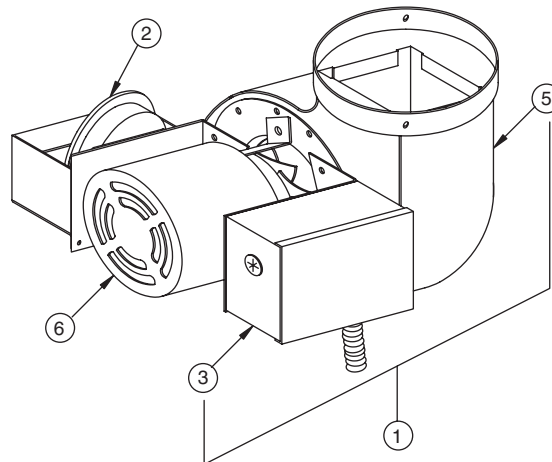
** Required in Canada.

*** See page 18 for Separated Combustion.

†Includes air pressure switch, sensing tube and pressure switch cover.

Usage	Unit Size	Part Numbers	
		Vent Cap**	Draftor Adapter (To Flue Pipe)
QVEF, QVEB QVED, QVES	30	J37R02222-001	J37R02185
	45		
	60		
	75		
	100		
	125		
	150		
	175		
	200		
QVEF, QVEB	225	J37R02222-002	N/A
	250		
	300		
QVEF, QVEB	350	J37R02222-003	J37R02186
	400		

1. Power Vent Assembly Complete
2. Pressure Switch Kit
3. Relay (Inside Junction Box)
4. Power Vent Wheel (Not Shown)
5. Power Vent Housing
6. Power Vent Motor



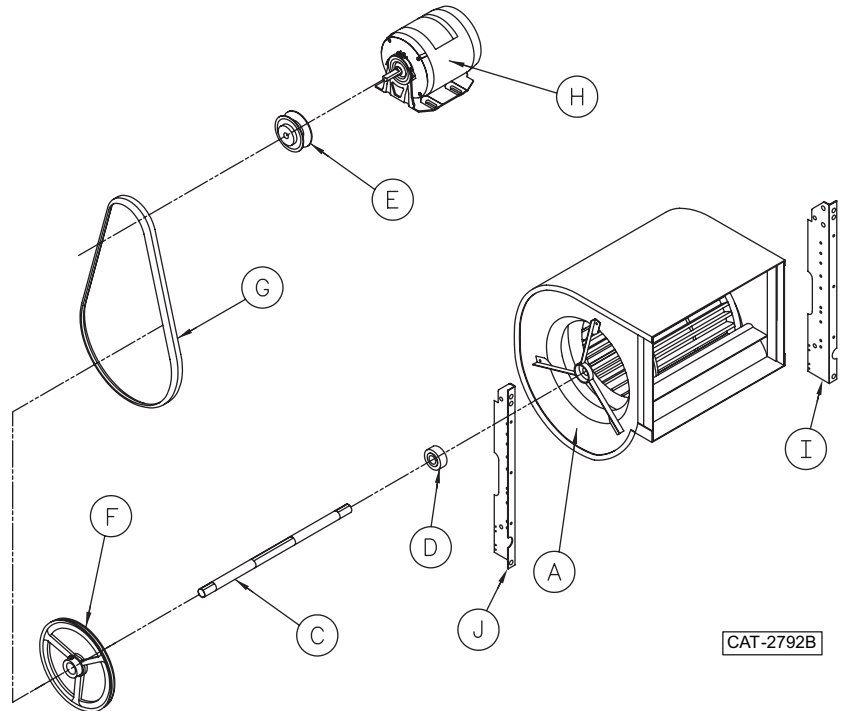
Common Parts	Part Numbers
Relay 24 Volt	J10R03410
Power Vent Housing	253R07047-002
Power Vent Wheel	J35R01126-011
Power Vent Motor	J31R01125
Power Vent	262R06390
Draftor Stack Ass'y*	
Junction Box Cover	260R01123

*Includes mounting collar, stack and tube fitting.

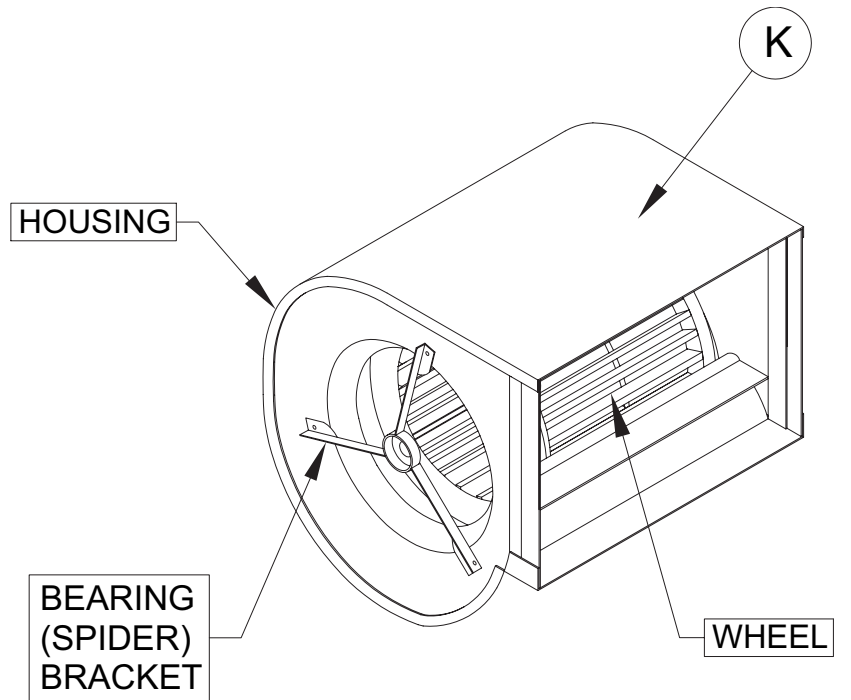
IMPORTANT: When ordering parts, please provide model and serial number.

“QV” Series Blower Motors (ODP)*

Usage	HP	Voltage	Part Number
QVB,	1/4	115/1/60	J31R00101-001
QVEB,	1/4	208, 230/1/60	J31R00101-002
QVBC	1/3	115/1/60	J31R00102-001
	1/3	208, 230/1/60	J31R00102-002
	1/3	208/3/60	J31R00102-004
	1/3	230/3/60	J31R00102-004
	1/3	460/3/60	J31R00102-004
1/2	115/1/60	J31R00103-001	
	208, 230/1/60	J31R00103-002	
	208/3/60	J31R00103-004	
	230/3/60	J31R00103-004	
	460/3/60	J31R00103-004	
	575/3/60	J31R00103-007	
	3/4	115/1/60	J31R00104-001
208, 230/1/60		J31R00104-002	
208/3/60		J31R00104-004	
230/3/60		J31R00104-004	
460/3/60		J31R00104-004	
575/3/60		J31R00104-007	
1		115/1/60	J31R00105-001
	208, 230/1/60	J31R00105-001	
	208/3/60	J31R00105-004	
	230/3/60	J31R00105-004	
	460/3/60	J31R00105-004	
	575/3/60	J31R00105-007	
1-1/2	115/1/60	J31R00106-001	
	208, 230/1/60	J31R00106-001	
	208/3/60	J31R00106-004	
	230/3/60	J31R00106-004	
	460/3/60	J31R00106-004	
	575/3/60	J31R00106-007	
2	115/1/60	J31R00107-001	
	208/1/60	J31R00107-002	
	230/1/60	J31R00107-001	
	208/3/60	J31R00107-004	
	230/3/60	J31R00107-004	
	460/3/60	J31R00107-004	
3	115/1/60	J31R00108-001	
	208, 230/1/60	J31R00108-001	
	208/3/60	J31R00108-004	
	230/3/60	J31R00108-004	
	460/3/60	J31R00108-004	
	575/3/60	J31R00108-007	



* Consult customer service for other motor types.



D8557

“QV” Series Blower Parts (QVB, QVEB, QVBC)

Item No.	Unit Size (Blower Size) Description	100 (9") ¹	125 (10")	150 (10")	175 (12")	200 (12")
		Part Number				
	Blower Assembly Complete ²	602R06335-001	602R06335-002	602R06335-002	602R06335-003	602R06335-003
A	Blower Kit ³	602R06335-001	602R06186-002	602R06186-002	602R06186-003	602R06186-003
H	Blower Motor	Order From Page 10				
C	Blower Shaft	Avail. as Kit only	J35R00540-002	J35R00540-002	J35R00540-003	J35R00540-003
D	Main Bearing (For Units as of August 2000)*†	Avail. as Kit only	J42R00433-008 (2)	J42R00433-008 (2)	J42R00433-009 (2)	J42R00433-009 (2)
K	Blower Assembly ⁴	J35R05947	J35R05948	J35R05948	J35R05949	J35R05949
I	Blower Housing Support (LH)	252R03490-001	252R03490-001	252R03490-001	252R03490-001	252R03490-001
J	Blower Housing Support (RH)	252R03490-002	252R03490-002	252R03490-002	252R03490-002	252R03490-002
N/S	Belt Guard	253R04403-001	253R04403-002	253R04403-002	253R04403-003	253R04403-003
N/S	Rear Blower Panel	251R01979-004	251R01979-005	251R01979-005	251R01979-007	251R01979-008
N/S	Rear Blower Panel Enerpak	251R03489-004	251R03489-005	N/A		
N/S	Rear Blower Mounting Panel Assembly	N/A				
N/S	Bottom Rear Extension Assembly	N/A				
N/S	Adjustable High Limit (QVBC Only)	J11R02260	J11R02260	J11R02260	J11R02260	J11R02260
N/S	High Limit Switch	J11R00306-001	J11R00306-001	J11R00306-001	J11R00306-001	J11R00306-001
G	V-Belt Standard***	J47RA37	J47RA39	J47RA42	J47RA46	
E	Drive Pulley (Standard)***	J35R02136-010	J35R02136-010	J35R02136-003	J35R02136-003	J35R02136-003
F	Driven Pulley (Standard)***	J35R00639-007	J35R00639-007	J35R00639-008	J35R02135-009	J35R02135-009

NOTE:

1. Blower Assembly parts not sold separately on 100 MBH units only.

Item No.	Unit Size (Blower Size) Description	225 (12")	250 (12")	300** (2-10")	350** (2-12")	400** (2-12")
		Part Number				
	Blower Assembly Complete ²	602R06335-0	602R06335-003	602R06335-004	602R06335-005	602R06335-005
A	Blower Kit ³	602R06186-003	602R06186-003	602R06186-002	602R06186-003	602R06186-003
H	Blower Motor	Order From Page 10				
C	Blower Shaft	J35R00540-003	J35R00540-003	J35R01974	J35R01975	J35R01975
D	Main Bearing (For Units as of August 2000)*†	J42R00433-009 (2)	J42R00433-009 (2)	J42R00433-008 (3)	J42R00433-009 (3)	J42R00433-009 (3)
K	Blower Assembly ⁴	J35R05949	J35R05949	J35R05948	J35R05949	J35R05949
I	Blower Housing Support (LH)	252R03490-001	252R03490-001	252R03490-001	252R03490-001	252R03490-001
J	Blower Housing Support (RH)	252R03490-002	252R03490-002	252R03490-002	252R03490-002	252R03490-002
N/S	Belt Guard	253R04403-003	253R04403-003	253R04403-002	253R04403-003	253R04403-003
N/S	Rear Blower Panel	N/A				
N/S	Rear Blower Panel Enerpak	N/A				
N/S	Rear Blower Mounting Panel Assembly	510R01913-009	510R01913-010	510R01915-012	510R01915-014	510R01915-016
N/S	Bottom Rear Extension Assembly	257R01906-009	257R01906-010	257R01906-012	257R01906-014	257R01906-016
N/S	Adjustable High Limit (QVBC Only)	J11R02260	J11R02260	J11R02260	J11R02260	J11R02260
N/S	High Limit Switch	J11R00306-001	J11R00306-001	J11R00306-003	J11R00306-003	J11R00306-003
G	V-Belt Standard***	J47RA46		J47RA43	J47RA46	
E	Drive Pulley (Standard)***	J35R02136-003	J35R02136-003	J35R02136-003	J35R02136-003	J35R02136-003
F	Driven Pulley (Standard)***	J35R02135-009	J35R02135-009	J35R00639-008	J35R02135-009	J35R02135-009

NOTES:

2. Assembly includes housing, wheel, bearings, bearing (spider) brackets, housing supports and shaft.

3. Kit includes housing, wheel, bearing (spider) brackets and housing supports.

4. Assembly includes housing, wheel, and bearing (spider) brackets. J35R05947 also includes shaft and bearings.

*(Quantity Required)

†When ordering bearings for Lau 12" blowers requiring a 2-1/2" outside diameter use part # J42R00433-005.

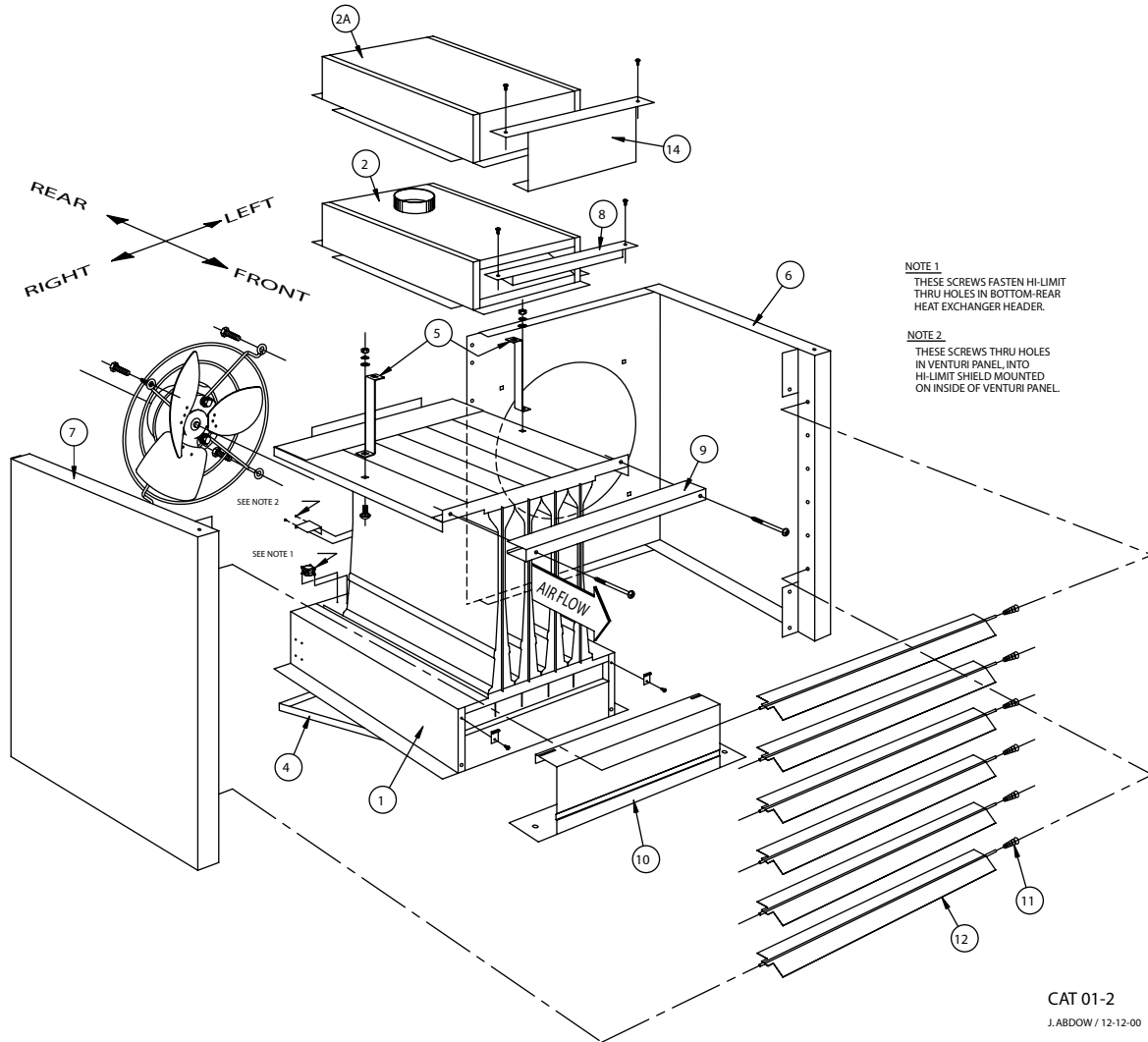
** 300-350-400 size units require 2 blower kits, 3 bearings, 1 shaft.

*** For units manufactured after August 2000, refer to label near blower housing for part number.

N/S = Not Shown.

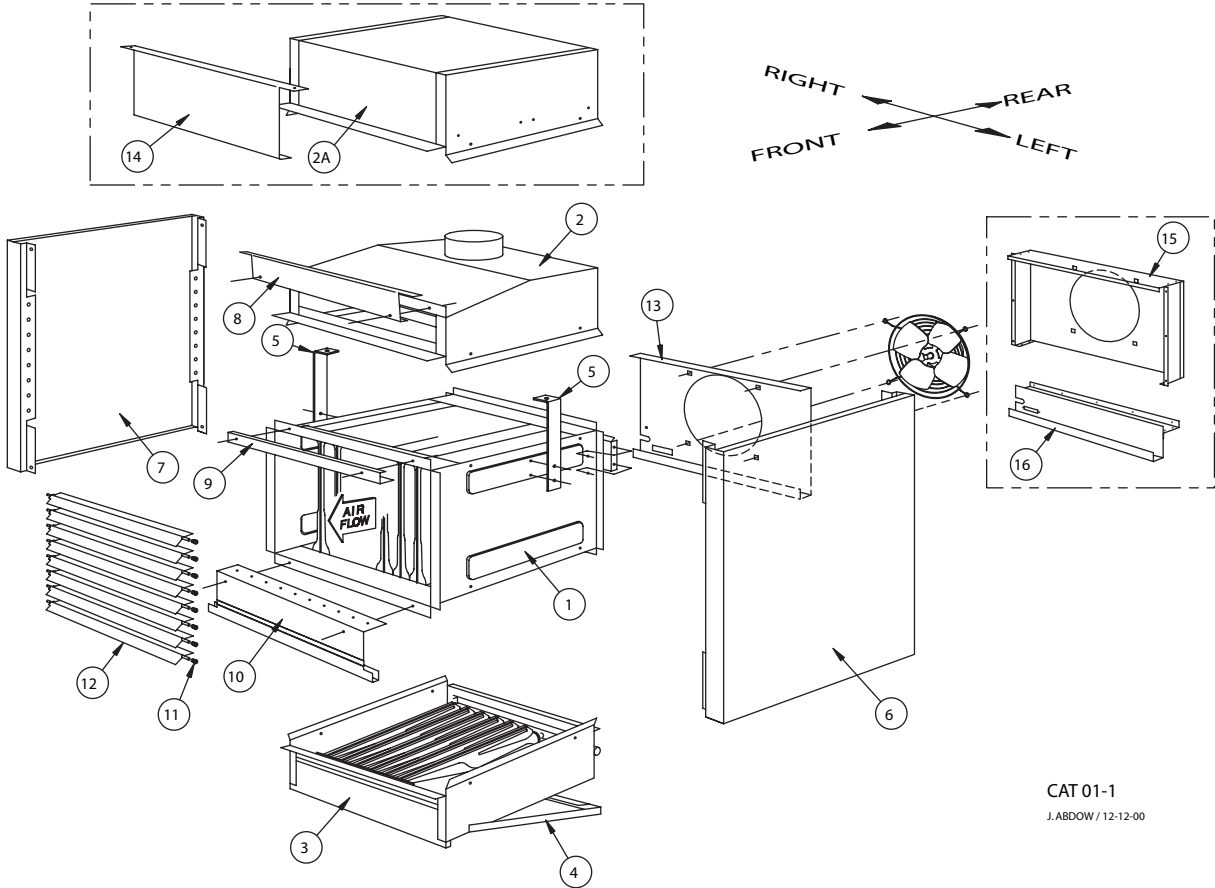
IMPORTANT: When ordering parts, please provide model and serial number.

“QV” Series Sheet Metal Parts



**STANDARD QVF-30 THRU 75 UNITS
AND ENERPAK QVEF-30 THRU 75 UNITS
PROPELLER SHEET METAL PARTS**

“QV” Series Sheet Metal Parts



CAT 01-1
J.ABDOW / 12-12-00

STANDARD PROPELLER QVF AND BLOWER QVB
ENERPAK PROPELLER QVEF AND BLOWER QVEB**
100 THRU 400 UNIT SIZES
SHEET METAL PARTS**

“QV” Series Sheet Metal Parts

Item No.	Description	Unit Size	30	45	60
		Part Number			
11	Louver Spring (Individual)*		J26R01960 (6)	J26R01960 (6)	J26R01960 (6)
12	Horizontal Louver (Individual)*		257R00272-101 (6)	257R00272-101 (6)	257R00272-116 (6)
7	Right Casing Panel		251R05211-001	251R05211-001	251R05211-002
6	Left Casing Panel (QVF, QVB)		251R05212-001	251R05212-001	251R05212-002
6	Left Casing Panel (QVEF, QVEB)		251R05212-003	251R05212-003	251R05212-004
4	Bottom Service Panel		251R00357-001	251R00357-001	251R00357-002
8	Top Front Trim (Standard Units Only)		251R00363-001	251R00363-001	251R00363-002
9	Center Front Trim (Standard Units Only)		251R00362-001	251R00362-001	251R00362-002
10	Bottom Front Trim		251R01659-001	251R01659-001	251R01659-002
13	Venturi Panel (Standard QVF)		N/A	N/A	N/A
13	Venturi Panel (Enerpak QVEF)		N/A	N/A	N/A
15	Venturi Extension Assembly		N/A	N/A	N/A
16	Bottom Rear Extension Assembly		N/A	N/A	N/A
5	Hangers (Individual) (Standard QVF) R.H.		257R00352	257R00352	257R00352
5	Hangers (Individual) (Standard QVF) L.H.		257R00352	257R00352	257R00352
5	Hangers (Individual) (Enerpak Only) R.H.		257R01106	257R01106	257R01106
5	Hangers (Individual) (Enerpak Only) L.H.		257R01106	257R01106	257R01106
14	Top Front Trim (Enerpak Only)		251R01105-030	251R01105-030	251R01105-060

*(Quantity Required)

Item No.	Description	Unit Size	175	200	225
		Part Number			
11	Louver Spring (Individual)*		J26R01960 (7)	J26R01960 (7)	11J26R01960 (7)
12	Horizontal Louver (Individual)*		257R00272-109 (7)	257R00272-110 (7)	257R00272-111 (7)
7	Right Casing Panel		251R04641	251R04641	251R04641
6	Left Casing Panel (QVF, QVB)		251R04634	251R04634	251R04634
6	Left Casing Panel (QVEF, QVEB)		251R04634	251R04634	251R04634
4	Bottom Service Panel		502R01779-007	502R01779-008	502R01779-009
8	Top Front Trim (Standard Units Only)		251R04648-007	251R04648-008	251R04648-009
9	Center Front Trim (Standard Units Only)		251R01929-007	251R01929-008	251R01929-009
10	Bottom Front Trim		251R01789-007	251R01789-008	251R01789-009
13	Venturi Panel (Standard QVF)		251R01841-007	251R01841-008	N/A
13	Venturi Panel (Enerpak QVEF)		251R01841-007	251R01841-008	N/A
15	Venturi Extension Assembly		N/A	N/A	257R01900-009
16	Bottom Rear Extension Assembly		N/A	N/A	257R01906-009
5	Hangers (Individual) (Standard QVF) R.H.		252R01848-001	252R01848-001	252R01344-001
5	Hangers (Individual) (Standard QVF) L.H.		252R01848-002	252R01848-002	252R01344-002
5	Hangers (Individual) (Enerpak Only) R.H.		252R01344-001	252R01344-001	252R01344-001
5	Hangers (Individual) (Enerpak Only) L.H.		252R01344-002	252R01344-002	252R01344-002
14	Top Front Trim (Enerpak Only)		251R01925-007	251R01925-008	251R01925-009

*(Quantity Required)

Refer to pages 12 and 13 for item numbers.

“QV” Series Sheet Metal Parts *continued*

Item No.	Description	Unit Size	75	100	125	150
		Part Number				
11	Louver Spring (Individual)*		J26R01960 (6)	J26R01960 (7)	J26R01960 (7)	J26R01960 (7)
12	Horizontal Louver (Individual)*		257R00272-116 (6)	257R00272-105 (7)	257R00272-108 (7)	257R00272-108 (7)
7	Right Casing Panel		251R05211-002	251R04640	251R04640	251R04641
6	Left Casing Panel (QVF, QVB)		251R05212-002	251R04633	251R04633	251R04634
6	Left Casing Panel (QVEF, QVEB)		251R05212-004	251R04633	251R04633	251R04634
4	Bottom Service Panel		251R00357-002	502R01782-004	502R01782-005	502R01779-006
8	Top Front Trim (Standard Units Only)		251R00363-002	251R04647-004	251R04647-005	251R04648-006
9	Center Front Trim (Standard Units Only)		251R00362-002	251R01928-004	251R01928-005	251R01929-006
10	Bottom Front Trim		251R01659-002	251R01789-004	251R01789-005	251R01789-005
13	Venturi Panel (Standard QVF)		N/A	251R01840	251R01841-005	251R01841-005
13	Venturi Panel (Enerpak QVEF)		N/A	251R03491-004	251R03492-005	251R01841-005
15	Venturi Extension Assembly		N/A	N/A	N/A	N/A
16	Bottom Rear Extension Assembly		N/A	N/A	N/A	N/A
5	Hangers (Individual) (Standard QVF) R.H.		257R00352	252R01847	252R01847	252R01848-001
5	Hangers (Individual) (Standard QVF) L.H.		257R00352	252R01847	252R01847	252R01848-002
5	Hangers (Individual) (Enerpak Only) R.H.		257R01106	252R01399-001	252R01399-001	252R01344-001
5	Hangers (Individual) (Enerpak Only) L.H.		257R01106	252R01399-002	252R01399-002	252R01344-002
14	Top Front Trim (Enerpak Only)		251R01105-060	251R01925-004	251R01925-005	251R01925-006

*(Quantity Required)

Refer to pages 12 and 13 for item numbers.

Item No.	Description	Unit Size	250	300	350	400
		Part Number				
11	Louver Spring (Individual)*		J26R01960 (7)	J26R01960 (7)	J26R01960 (7)	J26R01960 (7)
12	Horizontal Louver (Individual)*		257R00272-112 (7)	257R00272-113 (7)	257R00272-114 (7)	257R00272-115 (7)
7	Right Casing Panel		251R04641	251R04641	251R04641	251R04641
6	Left Casing Panel (QVF, QVB)		251R04634	251R04634	251R04634	251R04634
6	Left Casing Panel (QVEF, QVEB)		251R04634	251R04634	251R04634	251R04634
4	Bottom Service Panel		502R01779-010	502R01779-012	502R01779-014	502R01779-016
8	Top Front Trim (Standard Units Only)		251R04648-010	251R04648-012	251R04648-014	251R04648-016
9	Center Front Trim (Standard Units Only)		251R01929-010	251R01929-012	251R01929-014	251R01929-016
10	Bottom Front Trim		251R01789-010	251R01789-012	251R01789-014	251R01789-016
13	Venturi Panel (Standard QVF)		N/A	N/A	N/A	N/A
13	Venturi Panel (Enerpak QVEF)		N/A	N/A	N/A	N/A
15	Venturi Extension Assembly		257R01900-010	257R01901-012	257R01901-014	257R01901-016
16	Bottom Rear Extension Assembly		257R01906-010	257R01906-012	257R01906-014	257R01906-016
5	Hangers (Individual) (Standard QVF) R.H.		252R01344-001	252R01344-001	252R01344-001	252R01344-001
5	Hangers (Individual) (Standard QVF) L.H.		252R01344-002	252R01344-002	252R01344-002	252R01344-002
5	Hangers (Individual) (Enerpak Only) R.H.		252R01344-001	252R01344-001	252R01344-001	252R01344-001
5	Hangers (Individual) (Enerpak Only) L.H.		252R01344-002	252R01344-002	252R01344-002	252R01344-002
14	Top Front Trim (Enerpak Only)		251R01925-010	251R01925-012	251R01925-014	251R01925-016

*(Quantity Required)

Refer to pages 12 and 13 for item numbers.

“QV” Series Duct Furnace Parts

Description	Unit Size Part Usage				Unit Size			
	D	S	ED	ES	100	125	150	
					Part Number			
Burner Drawer Shell	(Standard - R.H.)	X	N/A	X	N/A	502R06266-004	502R06266-005	502R06267-006
	(Standard - L.H.)	Opt'l	N/A	Opt'l	N/A	502R06262-004	502R06262-005	502R06263-006
Burner Drawer Complete*	(Standard - R.H.)	X	N/A	X	N/A	502R01778-004	502R01778-005	502R01778-006
	(Standard - L.H.)	Opt'l	N/A	Opt'l	N/A	502R02699-004	502R02699-005	502R02699-006
Burner Drawer Shell	(Side Access - R.H.)	N/A	X	N/A	X	502R04910-004	502R04910-005	502R04917-006
	(Side Access - L.H.)	N/A	Opt'l	N/A	Opt'l	502R04911-004	502R04911-005	502R04918-006
Burner Drawer Complete*	(Side Access - R.H.)	N/A	X	N/A	X	502R02693-004	502R02693-005	502R02693-006
	(Side Access - L.H.)	N/A	Opt'l	N/A	Opt'l	502R02694-004	502R026094-005	502R02694-006
Burner Manifold	(Standard - R.H.)	X	N/A	X	N/A	503R01936-004	503R01936-005	503R01936-006
	(Standard - L.H.)	Opt'l	N/A	Opt'l	N/A	503R01936-004	503R01936-005	503R01936-006
Burner Manifold	(Side Access - R.H.)	N/A	X	N/A	X	503R02695-004	503R02695-005	503R02695-006
	(Side Access - L.H.)	N/A	Opt'l	N/A	Opt'l	503R02695-004	503R02695-005	503R02695-006
Outside Jacket Panel		X	X	X	X	251R02663	251R02663	251R02663
Outside Jacket	(R.H.)	X	N/A	X	N/A	251R02664-001	251R02664-001	251R02664-001
Access Panel	(L.H.)	Opt'l	N/A	Opt'l	N/A	251R02664-002	251R02664-002	251R02664-002
Bottom Service Panel		X	X	X	X	502R01782-004	502R01782-005	502R01779-006
High Limit Access Door		X	X	X	X	258R02684	258R02684	258R02684
High Limit	(R.H.)	X	X	X	X	252R05587-101	252R05587-101	252R05587-102
Bracket Assembly	(L.H.)	X	X	X	X	252R05588-101	252R05588-101	252R05588-102
Lower Access	(R.H.)	N/A	X	N/A	X	251R02671-001	251R02671-001	251R02671-001
Jacket Panel	(L.H.)	N/A	Opt'l	N/A	Opt'l	251R02671-002	251R02671-002	251R02671-002
Upper Access	(R.H.)	N/A	X	N/A	X	251R04019	251R04019	251R04019
Jacket Panel	(L.H.)	N/A	Opt'l	N/A	Opt'l	251R04019	251R04019	251R04019
Channel Assembly	(R.H.)	N/A	X	N/A	X	251R02665-001	251R02665-001	251R02665-001
	(L.H.)	N/A	Opt'l	N/A	Opt'l	251R02665-002	251R02665-002	251R02665-002
Angle Assembly	(R.H.)	N/A	X	N/A	X	251R02668-001	251R02668-001	251R02668-001
	(L.H.)	N/A	Opt'l	N/A	Opt'l	251R02668-002	251R02668-002	251R02668-002
Lower Front Trim Panel		X	X	X	X	251R02662-004	251R02662-005	251R02662-005
Blocked Vent (Spill) Switch Cover		X	X	N/A	N/A	257R02845-001	257R02845-001	257R02845-002
Pilot Burner	(Spark - R.H.) Nat.	Opt'l	Opt'l	X	X	J38R04578-001	J38R04578-001	J38R04578-001
	(Spark - L.H.) Nat.	Opt'l	Opt'l	Opt'l	Opt'l	J38R07982-001	J38R07982-001	J38R07982-001
Pilot Burner	(Spark - R.H.) L.P.	Opt'l	Opt'l	Opt'l	Opt'l	J38R04578-002	J38R04578-002	J38R04578-002
	(Spark - L.H.) L.P.	Opt'l	Opt'l	Opt'l	Opt'l	J38R07982-002	J38R07982-002	J38R07982-002
Pilot Burner	(Standing Pilot - R.H.) Nat.	X	X	N/A	N/A	J38R00291-001	J38R00291-001	J38R00291-001
	(Standing Pilot - L.H.) Nat.	Opt'l	Opt'l	N/A	N/A	J38R00492-001	J38R00492-001	J38R00492-001
Pilot Burner	(Standing Pilot - R.H.) L.P.	Opt'l	Opt'l	N/A	N/A	J38R00291-002	J38R00291-002	J38R00291-002
	(Standing Pilot - L.H.) L.P.	Opt'l	Opt'l	N/A	N/A	J38R00492-002	J38R00492-002	J38R00492-002

*Includes Burner Drawer Shell, Manifold, Burners, Springs, Air Shutters, Orifices for 0-2,000 ft.

“QV” Series Duct Furnace Parts *continued*

Unit Size						
175	200	225	250	300	350	400
Part Number						
502R06267-007	502R06267-008	502R06268-009	502R06268-010	502R06268-012	502R06268-014	502R06268-016
502R06263-007	502R06263-008	502R06264-009	502R06264-010	502R06264-012	502R06264-014	502R06264-016
502R01778-007	502R01778-008	502R01778-009	502R01778-010	502R01778-012	502R01778-014	502R01778-016
502R02699-007	502R02699-008	502R02699-009	502R02699-010	502R02699-012	502R02699-014	502R02699-016
502R04917-007	502R04917-008	502R04919-009	502R04919-010	502R04919-012	502R04919-014	502R04919-016
502R04918-007	502R04918-008	502R04920-009	502R04920-010	502R04920-012	502R04920-014	502R04920-016
502R02693-007	502R02693-008	502R02693-009	502R02693-010	502R02693-012	502R02693-014	502R02693-016
502R02694-007	502R02694-008	502R02694-009	502R02694-010	502R02694-012	502R02694-014	502R02694-016
503R01936-007	503R01936-008	503R01938-009	503R01938-010	503R01938-012	503R01938-014	503R01938-016
503R01936-007	503R01936-008	503R01938-009	503R01938-010	503R01938-012	503R01938-014	503R01938-016
503R02695-007	503R02695-008	503R02696-009	503R02696-010	503R02696-012	503R02696-014	503R02696-016
503R02695-007	503R02695-008	503R02696-009	503R02696-010	503R02696-012	503R02696-014	503R02696-016
251R02663	251R02663	251R02663	251R02663	251R02663	251R02663	251R02663
251R02664-001	251R02664-001	251R02664-001	251R02664-001	251R02664-001	251R02664-001	251R02664-001
251R02664-002	251R02664-002	251R02664-002	251R02664-002	251R02664-002	251R02664-002	251R02664-002
502R01779-007	502R01779-008	502R01779-009	502R01779-010	502R01779-012	502R01779-014	502R01779-016
258R02684	258R02684	258R02684	258R02684	258R02684	258R02684	258R02684
252R05587-102	252R05587-102	252R05587-102	252R05587-102	252R05587-102	252R05587-102	252R05587-102
252R05588-102	252R05588-102	252R05588-102	252R05588-102	252R05588-102	252R05588-102	252R05588-102
251R02671-001	251R02671-001	251R02671-001	251R02671-001	251R02671-001	251R02671-001	251R02671-001
251R02671-002	251R02671-002	251R02671-002	251R02671-002	251R02671-002	251R02671-002	251R02671-002
251R04019	251R04019	251R04019	251R04019	251R04019	251R04019	251R04019
251R04019	251R04019	251R04019	251R04019	251R04019	251R04019	251R04019
251R02665-001	251R02665-001	251R02665-001	251R02665-001	251R02665-001	251R02665-001	251R02665-001
251R02665-002	251R02665-002	251R02665-002	251R02665-002	251R02665-002	251R02665-002	251R02665-002
251R02668-001	251R02668-001	251R02668-001	251R02668-001	251R02668-001	251R02668-001	251R02668-001
251R02668-002	251R02668-002	251R02668-002	251R02668-002	251R02668-002	251R02668-002	251R02668-002
251R02662-007	251R02662-008	251R02662-009	251R02662-010	251R02662-012	251R02662-014	251R02662-016
257R02845-002	257R02845-002	257R02845-002	257R02845-002	257R02845-002	257R02845-002	257R02845-002
J38R04578-001	J38R04578-001	J38R04578-001	J38R04578-001	J38R04578-001	J38R04578-001	J38R04578-001
J38R07982-001	J38R07982-001	J38R07982-001	J38R07982-001	J38R07982-001	J38R07982-001	J38R07982-001
J38R04578-002	J38R04578-002	J38R04578-002	J38R04578-002	J38R04578-002	J38R04578-002	J38R04578-002
J38R07982-002	J38R07982-002	J38R07982-002	J38R07982-002	J38R07982-002	J38R07982-002	J38R07982-002
J38R00291-001	J38R00291-001	J38R00291-001	J38R00291-001	J38R00291-001	J38R00291-001	J38R00291-001
J38R00492-001	J38R00492-001	J38R00492-001	J38R00492-001	J38R00492-001	J38R00492-001	J38R00492-001
J38R00291-002	J38R00291-002	J38R00291-002	J38R00291-002	J38R00291-002	J38R00291-002	J38R00291-002
J38R00492-002	J38R00492-002	J38R00492-002	J38R00492-002	J38R00492-002	J38R00492-002	J38R00492-002

“QV” Series Separated Combustion Parts (QVSF, QVSB, QVSD)

Unit Size	100	125	150	175	200
Description	Part Number				
Power Vent Assembly	262R06389				
Power Vent Drafter Stack Assembly	262R06390				
Power Vent Housing	253R07047-002				
Power Vent Wheel	J35R01126-011				
Pressure Switch Kit	261R06830-004				
Sensor Lead	See Footnote 1				
Pilot Burner Assembly N.G.	504R03047-001	504R03047-001	504R03049-001	504R03049-001	504R03049-001
Pilot Burner Assembly L.P.	504R03047-002	504R03047-002	504R03049-002	504R03049-002	504R03049-002
Pilot Tubing	261R04962-003				
Burner Manifold Assembly	503R03039-004	503R03039-005	503R03039-006	503R03039-007	503R03039-008
High Limit Switch - QVSF	J11R00306-002	J11R00306-002	J11R00306-002	J11R00306-002	J11R00306-002
High Limit Switch - QVSB	J11R00306-001	J11R00306-001	J11R00306-001	J11R00306-001	J11R00306-001
High Limit Switch - QVSD w/FTD	J11R03149-001	J11R03149-001	J11R03149-001	J11R03149-001	J11R03149-001
High Limit Switch - QVSD w/out FTD	J11R03148-001	J11R03148-001	J11R03148-001	J11R03148-001	J11R03148-001
Blower Assembly Complete*	602R06337-001	602R06337-002		602R06337-003	
Blower Kit‡	602R06328-001	602R06328-002		602R06328-003	
Fan Motor	See Page 8				
Fan Blade	See Page 8				
Pre-Purge Relay	J11R00366				

Unit Size	225	250	300**	350**	400**
Description	Part Number				
Power Vent Assembly	262R06389				
Power Vent Drafter Stack Assembly	262R06390				
Power Vent Housing	253R07047-002				
Power Vent Wheel	J35R01126-011				J35R00703-014
Pressure Switch Kit	261R06830-004				261R06830-005
Sensor Lead	See Footnote 1				
Pilot Burner Assembly N.G.	504R03049-001	504R03049-001	504R03049-001	504R03049-001	504R03049-001
Pilot Burner Assembly L.P.	504R03049-002	504R03049-002	504R03049-002	504R03049-002	504R03049-002
Pilot Tubing	261R04962-003				
Burner Manifold Assembly	503R01938-009	503R01938-010	503R01938-012	503R01938-014	503R01938-016
High Limit Switch - QVSF	J11R00306-002	J11R00306-002	J11R00306-003	J11R00306-003	J11R00306-003
High Limit Switch - QVSB	J11R00306-002	J11R00306-002	J11R00306-002	J11R00306-002	J11R00306-002
High Limit Switch - QVSD w/FTD	J11R03149-001	J11R03149-001	J11R03149-001	J11R03149-001	J11R03149-001
High Limit Switch - QVSD w/out FTD	J11R03148-001	J11R03148-001	J11R03148-001	J11R03148-001	J11R03148-001
Blower Assembly Complete*	602R06337-003		602R06337-004	602R06337-005	
Blower Kit‡	602R06328-003		602R06328-002 (2)	602R06328-003 (2)	
Fan Motor	See Page 8				
Fan Blade	See Page 8				
Pre-Purge Relay	J11R00366				

*Blower assembly includes housing, wheel, bearing brackets, shaft, bearings and support brackets. For individual shaft and bearings see page 11.

**QVSB300-350-400 size units require 2 blower kits, 3 bearings, 1 shaft.

‡Kit includes housing (with bearing [spider] brackets), wheel and support brackets.

1. Sensor lead included with pilot burner assembly.

FTD = Fan Time Delay

Cabinet Blower (CAB) Parts

Unit Size	CAB1/100	CAB1/125	CAB2/150	CAB2/175	CAB3/200
Description	Part Number				
Blower Assembly Complete*	602R05750-001	602R05750-001	602R05750-002	602R05750-002	602R05750-002
Blower Kit‡	602R05751-001	602R05751-001	602R05751-002	602R05751-002	602R05751-002
Blower Shaft	J35R00540-002	J35R00540-002	J35R00540-003	J35R00540-003	J35R00540-003
Main Bearing (as of Aug. 2000) ⁽¹⁾ †	J42R00433-008	J42R00433-008	J42R00433-009	J42R00433-009	J42R00433-009
V-Belt Standard***	Specify Size				
Drive Pulley***	Call				
Driven Pulley***	Call				
Service Door	258R06192				

Unit Size	CAB3/225	CAB3/250	CAB4/300**	CAB4/350**	CAB4/400**
Description	Part Number				
Blower Assembly Complete*	602R05750-002	602R05750-002	602R05750-004	602R05750-004	602R05750-004
Blower Kit‡	602R05751-002	602R05751-002	602R05751-002 (2)	602R05751-002 (2)	602R05751-002 (2)
Blower Shaft	J35R00540-003	J35R00540-003	J35R01975	J35R01975	J35R01975
Main Bearing (as of Aug. 2000) ⁽¹⁾ †	J42R00433-009	J42R00433-009	J42R00433-009	J42R00433-009	J42R00433-009
V-Belt Standard***	Specify Size				
Drive Pulley***	Call				
Driven Pulley***	Call				
Service Door	258R06192				

*Blower Assembly includes housing, wheel, bearing brackets, shaft, bearings and support brackets.

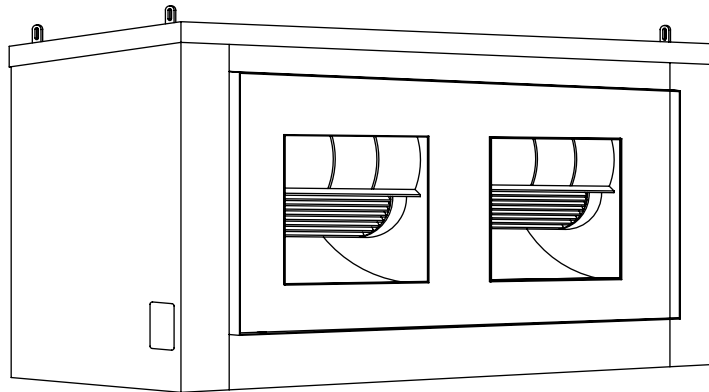
**300-350-400 size units require 2 blower kits, 3 bearings, 1 shaft.

***For units manufactured after August 2000, refer to label near blower housing for part number.

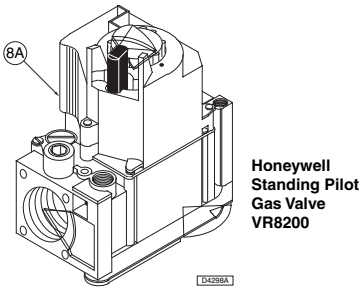
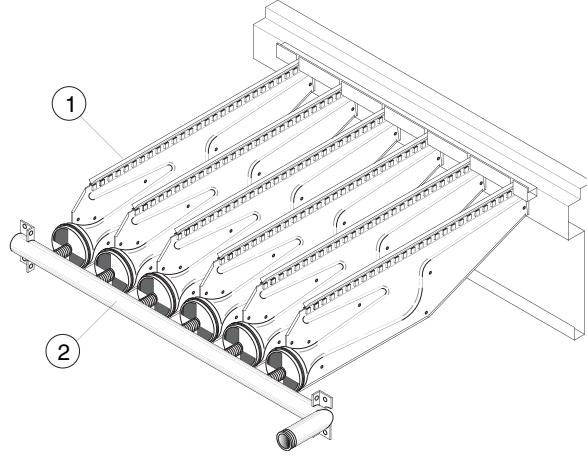
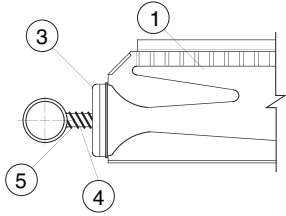
⁽¹⁾ CAB1, 2, 3 requires two (2) bearings, CAB4 requires three (3) bearings.

†When ordering bearings for a 2-1/2" outside diameter use part # J42R000433-005.

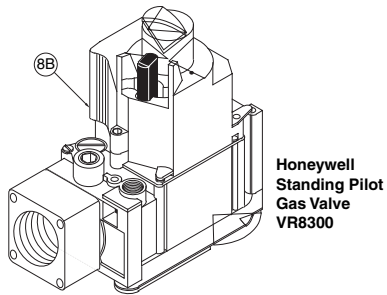
‡Kit includes housing (with bearing [spider] brackets), wheel and support brackets.



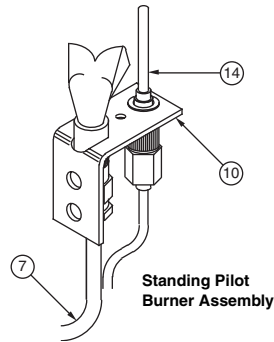
“QV” Series Common and Standing Pilot Parts



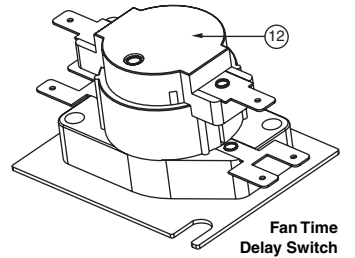
Honeywell
Standing Pilot
Gas Valve
VR8200



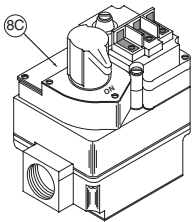
Honeywell
Standing Pilot
Gas Valve
VR8300



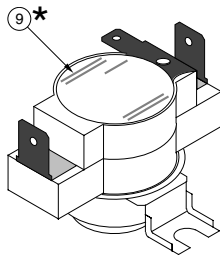
Standing Pilot
Burner Assembly



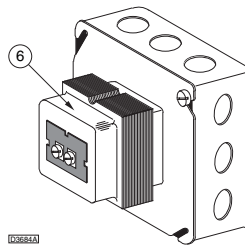
Fan Time
Delay Switch



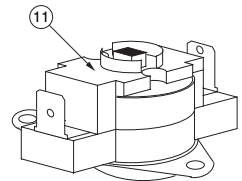
White Rodgers Standing Pilot Gas Valve
36C



Hi Limit



Transformer



Blocked Vent (Spill) Switch

“QV” Series Common and Standing Pilot Parts

Item No.	Description	Unit Size		
		30	45	60
		Part Number		
8A,8B,8C	Main Gas Valve Natural Gas	J28R02098-002		
8A,8B,8C	Main Gas Valve L.P. Gas	J28R02098-001		
10	Pilot Burner Natural Gas	J38R00291-001		
10	Pilot Burner L.P. Gas	J38R00291-002		
7	Pilot Tubing	257R04945-001		
14	Thermocouple	J11R00292		
1	Main Burner Set Aluminized Steel	502R00118-030	502R00118-045	502R00118-060
1	Main Burner Set 409 Stainless Steel	N/A		
N/S	Burner Orifice Set (L.P. Gas)	503R00057-030	503R00057-045	503R00057-060
N/S	Burner Orifice Set (Natural Gas)	503R00049-030	503R00049-045	503R00049-060
4	Burner Spring Set	502R01961-002	502R01961-003	502R01961-004
3	Air Shutter Set	502R01946-902	502R01946-903	502R01946-904
2	Manifold	503R00347-030	503R00347-045	503R00347-060
9	High Limit (Propeller Only)*	J11R00306-001		
12	Fan Time Delay (Inside Junction Box)	J11R00366		
6	Transformer (115/24 20 VA)	J14R03075		
N/S	E.C.O. (Natural Gas Valve)	N/A		
11	Blocked Vent Switch (Propeller and Blower Only)	J11R02833-001		
11	Blocked Vent Switch (Duct Only)	N/A		
	No. Of Burners Per Unit	2	3	4

Item No.	Description	Unit Size		
		75	100	125
		Part Number		
8A,8B,8C	Main Gas Valve Natural Gas	J28R02098-002		
8A,8B,8C	Main Gas Valve L.P. Gas	J28R02098-001		
10	Pilot Burner Natural Gas	J38R00291-001		
10	Pilot Burner L.P. Gas	J38R00291-002		
7	Pilot Tubing	257R04945-001		
14	Thermocouple	J11R00292		
1	Main Burner Set Aluminized Steel	502R00118-075	502R01654-804	502R01654-805
1	Main Burner Set 409 Stainless Steel	N/A	502R01654-904	502R01654-905
N/S	Burner Orifice Set (L.P. Gas)	503R00057-075	503R00054-004	503R00054-005
N/S	Burner Orifice Set (Natural Gas)	503R00049-075	503R00042-004	503R00042-005
4	Burner Spring Set	502R01961-005	502R01961-004	502R01961-005
3	Air Shutter Set	502R01946-905	502R01946-904	502R01946-905
2	Manifold†	503R00347-075	503R01936-004	503R01936-005
9	High Limit (Propeller Only)*†	J11R00306-001	J11R00306-002	
9	High Limit (Duct Only w/out Fan Time Delay)*†	N/A	J11R02682	
9	High Limit (Duct Only w/Fan Time Delay)	N/A	J11R02683	
12	Fan Time Delay (Inside Junction Box)	J11R00366		
6	Transformer (115/24 20 VA)	J14R03075		
N/S	E.C.O. (Natural Gas Valve)	N/A		
11	Blocked Vent Switch (Propeller and Blower Only)	J11R02833-003	J11R02833-002	
11	Blocked Vent Switch (Duct Only)	N/A	J11R02833-003	
	No. Of Burners Per Unit	5	4	5

* Located on the bottom rear header plate of the heat exchanger. †See page 18 for Separated Combustion.
Refer to page 20 for item number.
N/S = Not Shown.

IMPORTANT: When ordering parts, please provide model and serial number.

“QV” Series Common and Standing Pilot Parts *continued*

Item No.	Description	Unit Size	150	175	200	225
		Part Number				
8A,8B,8C	Main Gas Valve Natural Gas		J28R02098-002		J28R03068-001	J28R03068-002
8A,8B,8C	Main Gas Valve L.P. Gas		J28R02098-001			
10	Pilot Burner Natural Gas		J38R00291-001			
10	Pilot Burner L.P. Gas		J38R00291-002			
7	Pilot Tubing		257R04945-001			
14	Thermocouple		J11R00292			
1	Main Burner Set Aluminized Steel		502R01654-806	502R01654-807	502R01654-808	502R01654-809
1	Main Burner Set 409 Stainless Steel		502R01654-906	502R01654-907	502R01654-908	502R01654-909
N/S	Burner Orifice Set (L.P. Gas)		503R00054-006	503R00054-007	503R00054-008	503R00054-009
N/S	Burner Orifice Set (Natural Gas)		503R00042-006	503R00042-007	503R00042-008	503R00042-009
4	Burner Spring Set		502R01961-006	502R01961-007	502R01961-008	502R01961-009
3	Air Shutter Set		502R01946-906	502R01946-907	502R01946-908	502R01946-909
2	Manifold†		503R01936-006	503R01936-007	503R01936-008	503R01938-009
9	High Limit (Propeller Only)*†		J11R00306-002			
9	High Limit (Duct Only w/out Fan Time Delay)*†		J11R02682			
9	High Limit (Duct Only w/Fan Time Delay)		J11R02683			
12	Fan Time Delay (Inside Junction Box)		J11R00366			
6	Transformer (115/24 20 VA)		J14R03075			
N/S	E.C.O. (Natural Gas Valve)		N/A			
11	Blocked Vent Switch (Propeller and Blower Only)		J11R02833-002			
11	Blocked Vent Switch (Duct Only)		J11R02833-003			
	No. Of Burners Per Unit		6	7	8	9

Item No.	Description	Unit Size	250	300	350	400
		Part Number				
8A,8B,8C	Main Gas Valve Natural Gas		J28R03068-002	J28R00381-002		
8A,8B,8C	Main Gas Valve L.P. Gas		J28R02098-001	J28R03068-003	J28R00382-001	
10	Pilot Burner Natural Gas		J38R00291-001			
10	Pilot Burner L.P. Gas		J38R00291-002			
7	Pilot Tubing		257R04945-001			
14	Thermocouple		J11R00292			
1	Main Burner Set Aluminized Steel		502R01654-810	502R01654-812	502R01654-814	502R01654-816
1	Main Burner Set 409 Stainless Steel		502R01654-910	502R01654-912	502R01654-914	502R01654-916
N/S	Burner Orifice Set (L.P. Gas)		503R00054-010	503R00054-012	503R00054-014	503R00054-016
N/S	Burner Orifice Set (Natural Gas)		503R00042-010	503R00042-012	503R00042-014	503R00042-016
4	Burner Spring Set		502R01961-010	502R01961-012	502R01961-014	502R01961-016
3	Air Shutter Set		502R01946-910	502R01946-912	502R01946-914	502R01946-916
2	Manifold†		503R01938-010	503R01938-012	503R01938-014	503R01938-016
9	High Limit (Propeller Only)*†		J11R00306-002			
9	High Limit (Duct Only w/out Fan Time Delay)*†		J11R02682			
9	High Limit (Duct Only w/Fan Time Delay)		J11R02683			
12	Fan Time Delay (Inside Junction Box)		J11R00366			
6	Transformer (115/24 20 VA)		J14R03075			
N/S	E.C.O. (Natural Gas Valve)		J11R00775			
11	Blocked Vent Switch (Propeller and Blower Only)		J11R02833-002			
11	Blocked Vent Switch (Duct Only)		J11R02833-003			
	No. Of Burners Per Unit		10	12	14	16

* Located on the bottom rear header plate of the heat exchanger. †See page 18 for Separated Combustion.
N/S = Not Shown.

“QV” Series Electronic Ignition Parts

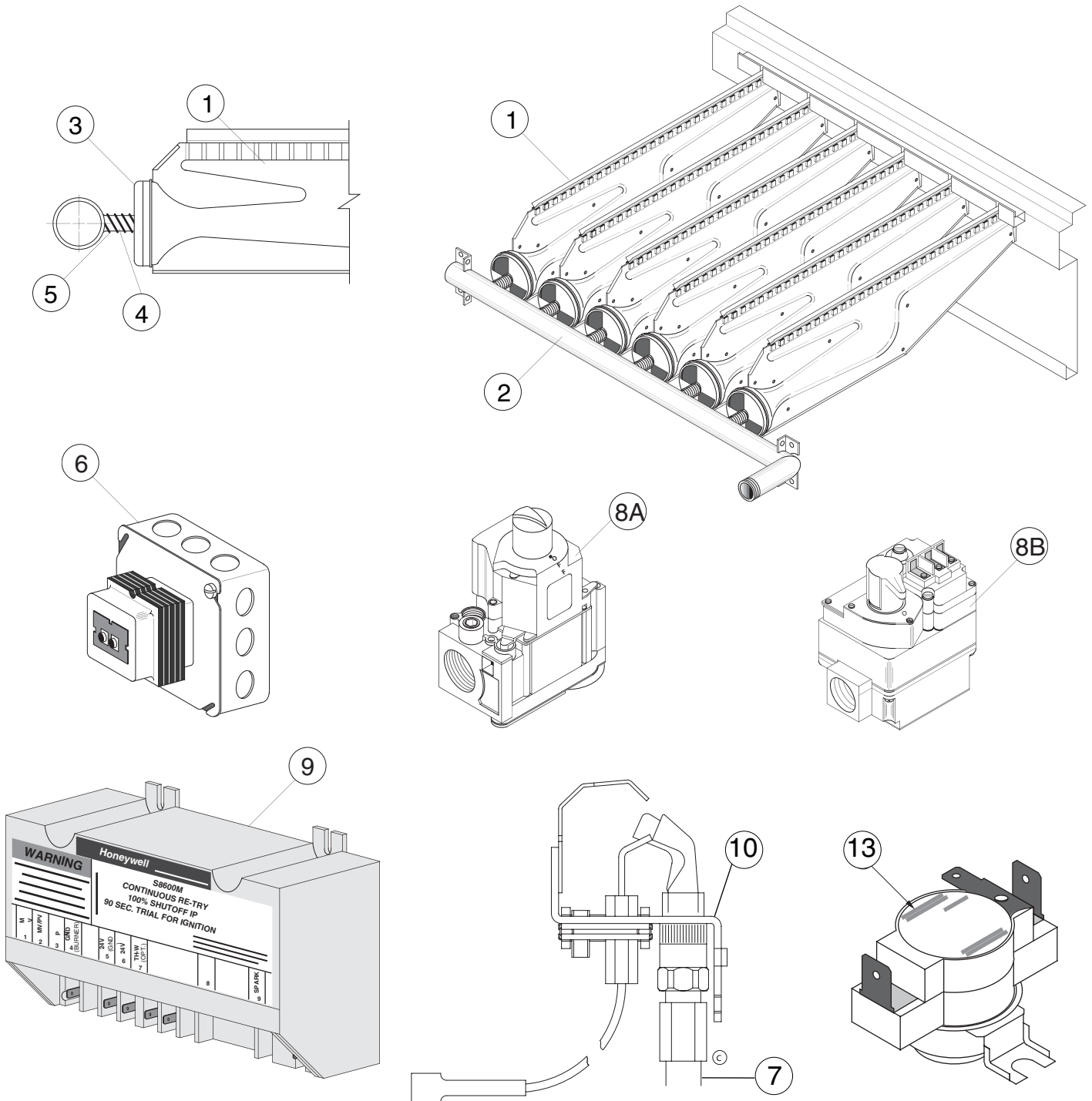
AUTO SPARK PARTS

FIGURE

- | NO. | DESCRIPTION |
|-----|------------------------------|
| 1. | MAIN BURNERS |
| 2. | MANIFOLD |
| 3. | AIR SHUTTERS |
| 4. | BURNER SPRINGS |
| 5. | MAIN BURNER ORIFICE |
| 6. | TRANSFORMER, 115/24V (40 VA) |

FIGURE

- | NO. | DESCRIPTION |
|-----|---|
| 8A. | MAIN GAS VALVE
HONEYWELL VR8204/VR8304 |
| 8B. | MAIN GAS VALVE
WHITE RODGERS 36C68 |
| 9. | HONEYWELL S8600 IGNITOR |
| 10. | HONEYWELL PILOT BURNER |
| 13. | HI-LIMIT |



“QV” Series Electronic Ignition Parts

Item No.	Description	Unit Size	30	45	60	75	100	125	150
		Part Number							
8A	Gas Valve Auto Spark, Natural Gas (H.W.)			J28R02080-001				J28R02080-001	
8B	Gas Valve Auto Spark, Natural Gas (W.R.)			N/A				N/A	
8A	GAS Valve Auto Spark LP Gas (Honeywell)			J28R02080-005				J28R02080-005	
9	S8600M Ignitor for NG & LP Gas (Honeywell)			J28R02722				J28R02722	
N/S	Cable Adaptor (S86 to S8600 Ignitor)			N/A				J28R05077	
N/S	Q53 Pilot Burner w/Electric, Natural Gas*			J38R00478-001				N/A	
N/S	Q53 Pilot Burner w/Electric, LP Gas*			J38R00478-002				N/A	
N/S	Q53 Sensor Probe, Natural & LP Gas*			J38R00480				N/A	
N/S	Q53 Sensor Lead, Natural & LP Gas*			J09R00844				N/A	
10	Honeywell Pilot Burner, Natural Gas**			J38R04578-001				J38R04578-001	
10	Honeywell Pilot Burner, LP Gas**			J38R04578-002				J38R04578-002	
12	Honeywell S8600 Ignitor Cable			J38R02848-001				J38R02848-001	
7	Pilot Tubing Auto Spark**			257R04945-001				257R04945-001	
6	Transformer, 115/24, 40 VA			J14R03076				J14R03076	
N/S	S8600 Series Ignitor Bracket			252R01882				252R01882	

* Use with Johnson control ignitor.

** See page 18 for Separated Combustion.

N/S = Not Shown.

Item No.	Description	Unit Size	175	200	225	250	300	350	400
		Part Number							
8A	Gas Valve Auto Spark, Natural Gas (H.W.)		J28R02080-001					J28R03069-003	
8B	Gas Valve Auto Spark, Natural Gas (W.R.)			N/A				J28R00742	
8A	GAS Valve Auto Spark LP Gas (Honeywell)			J28R02080-005				J28R03069-002	
9	S8600M Ignitor for NG & LP Gas (Honeywell)			J28R02722				J28R02722	
N/S	Cable Adaptor (S86 to S8600 Ignitor)			J28R05077				J28R05077	
N/S	Q53 Pilot Burner w/Electric, Natural Gas*			N/A				N/A	
N/S	Q53 Pilot Burner w/Electric, LP Gas*			N/A				N/A	
N/S	Q53 Sensor Probe, Natural & LP Gas*			N/A				N/A	
N/S	Q53 Sensor Lead, Natural & LP Gas*			N/A				N/A	
10	Honeywell Pilot Burner, Natural Gas**			J38R04578-001				J38R04578-001	
10	Honeywell Pilot Burner, LP Gas**			J38R04578-002				J38R04578-002	
12	Honeywell S8600 Ignitor Cable			J38R02848-001				J38R02848-001	
7	Pilot Tubing Auto Spark**			257R04945-001				257R04945-001	
6	Transformer, 115/24, 40 VA			J14R03076				J14R03076	
N/S	S8600 Series Ignitor Bracket			252R01882				252R01882	

* Use with Johnson control ignitor.

** See page 18 for Separated Combustion.

N/S = Not Shown.

IMPORTANT: When ordering parts, please provide model and serial number.

“QV” Series Conversion Kits

FOR STANDING PILOT UNITS ONLY

Converting From Natural to LP Gas		Converting From LP to Natural Gas	
Unit Size	Part Numbers	Unit Size	Part Numbers
30	261R05024	30	261R05025
45			
60			
75			
100	261R06045	100	261R06047
125			
150			
175			
200		261R06048	
225		261R06049	
250	261R06046	250	261R06050
300			
350			
400			

FOR AUTOMATIC SPARK IGNITION UNITS

Converting From Natural to LP Gas		Converting From LP to Natural Gas	
Unit Size	Part Numbers	Unit Size	Part Numbers
30	261R06376	30	261R05078
45			
60			
75			
100	261R06377*	100	261R04975
125			
150			
175			
200			
225		261R04977	
250			
300			
350			
400		261R04978	
300			
350			
400	261R06378**		

* For units with Honeywell valve.

** For units with White-Rodgers valve.

“QV” Series Transformers – Thermostats

Description	Part Number
115/24, 20VA Transformer	J14R03075
115/24, 40VA Transformer	J14R03076
208/24, 50VA Transformer	J14R02843-002
230/24, 50VA Transformer	J14R02843-002
460/24, 50VA Transformer	J14R02842-003
208/115, 500 VA Transformer (Step Down)	J14R05241-001
230/115, 500VA Transformer (Step Down)	J14R02832-002
460/115, 500VA Transformer (Step Down)	J14R02832-002
575/115, 500VA Transformer (Step Down)	J14R02832-006
T822K Mercury-Free 24V Thermostat w/Adjustable Heat Anticipator	J13R08431
T87K 1-Stage Mercury-free Thermostat (Includes Subbase). Range 40-90°F	J13R08300

Description	Part Numbers
T834N, Mercury-free Low Voltage Room Thermostat w/Integral Switch for Summer/Winter Operation. Range 50-90°F. (w/Sterling Logo)	ASRG3
TH5220D, 2-Stage Thermostat (Mercury-Free)	J13R08301
T6169C, 115V Line Voltage Thermostat w/Subbase	J13R03362
TG511A-1018 Universal Thermostat Guard	J13R00954
T678A-1353 2-Stage Ductstat 55-175°F	J13R00815-007
T675A-1417 Single Stage Ductstat 55-175°F	J13R00815-002

“QV” Series Optional Parts

Description	Part Number
2-Stage Gas Valve, Spark Ignition Natural Gas 100/200	J28R02454-003
2-Stage Gas Valve, Spark Ignition Natural Gas 225/400	J28R02454-002
2-Stage Gas Valve, Spark Ignition L.P. Gas 100/400	J28R02454-001
2-Stage High Fire Relay	J10R03479
Summer Winter Switch	J11R00544
Adjustable High Limit Switch (Duct Only)	J11R02260
Rockwell 043-182 Pressure Regulator (125 PSI to 7”) Natural Gas	J28R05121
R8225B-1007 Honeywell Relay SPST w/24V Holding Coil to Permit 115V or 230V Draftor to be Operated by 24V Thermostat	J10R00818-003
115 V Draftor Assembly (will not fit Enerpak)*	202R00819-101
208 V Draftor Assembly (will not fit Enerpak)*	202R00819-102
230 V Draftor Assembly (will not fit Enerpak)*	202R00819-103
Draftor Motor Only 115V (will not fit Enerpak)	J52R00900-001
Draftor Motor Only 208V (will not fit Enerpak)	J52R00910-001
Draftor Motor Only 230V (will not fit Enerpak)	J52R00920-001
Draftor Wheel (will not fit Enerpak)	J35R00703-014
Draftor Housing (will not fit Enerpak)	507R00820

Description	Part Numbers
Draftor Adaptor (Transition Assembly) 30/45	510R02245-002
Draftor Adaptor (Transition Assembly) 60/75	510R02245-003
Draftor Adaptor (Transition Assembly) 100	510R02245-004
Draftor Adaptor (Transition Assembly) 125	510R02245-005
Draftor Adaptor (Transition Assembly) 150	510R02245-006
Draftor Adaptor (Transition Assembly) 175	510R02245-007
Draftor Adaptor (Transition Assembly) 200	510R02245-008
Draftor Adaptor (Transition Assembly) 225	510R02245-009
Draftor Adaptor (Transition Assembly) 250	510R02245-010
Draftor Adaptor (Transition Assembly) 300/350	510R02443-012
Draftor Adaptor (Transition Assembly) 400	510R02443-016
Vent Cap 4”	J37R02222-001
Vent Cap 5”	J37R02222-002
Vent Cap 6”	J37R02222-003
Adaptors 4” to 5”	J37R02185
Adaptors 5” to 6”	J37R02186
4 to 2 Point Adaptor Hanger Kit (Propeller 100 to 400 Only)	252R02178
Touch Up Paint, 12 Oz. Spray Can (Dark Gray)	512R01395-001
Touch Up Paint, 1 Gallon (Dark Gray)	512R01395-002

“QV” Series Drafter Kits

Usage	Size	Part Number
115 Volt Drafter Kit*		
QVF, QVB, QVBC, QVD, QVS	30/45	ASRM1-030
	60/75	ASRM1-060
	100	ASRM1-100
	125	ASRM1-125
	150	ASRM1-150
	175	ASRM1-175
	200	ASRM1-200
	225	ASRM1-225
	250	ASRM1-250
	300/350	ASRM1-300
400	ASRM1-400	
208 Volt Drafter Kit*		
QVF, QVB, QVBC, QVD, QVS	30/45	ASRM12-030
	60/75	ASRM12-060
	100	ASRM12-100
	125	ASRM12-125
	150	ASRM12-150
	175	ASRM12-175
	200	ASRM12-200
	225	ASRM12-225
	250	ASRM12-250
	300/350	ASRM12-300
400	ASRM12-400	
230 Volt Drafter Kit*		
QVF, QVB, QVBC, QVD, QVS	30/45	ASRM13-030
	60/75	ASRM13-060
	100	ASRM13-100
	125	ASRM13-125
	150	ASRM13-150
	175	ASRM13-175
	200	ASRM13-200
	225	ASRM13-225
	250	ASRM13-250
	300/350	ASRM13-300
400	ASRM13-400	

LEGEND:

- QVF = “QV2” Series Prop
- QVB = “QV2” Series Blower
- QVBC = “QV2” Series Cabinet Blower
- QVD = “QV2” Series Duct (Bottom Access)
- QVS = “QV2” Series Duct (Side Access)

* Kit contains drafter assembly, transition assembly and relay.

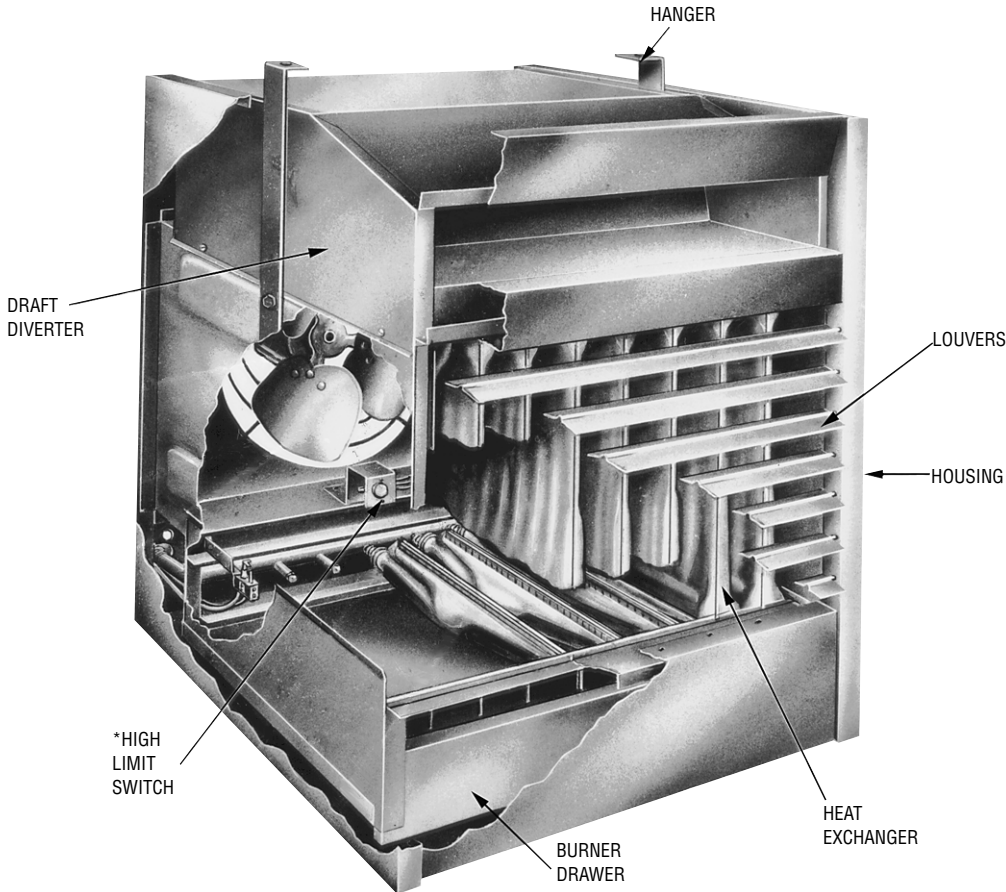
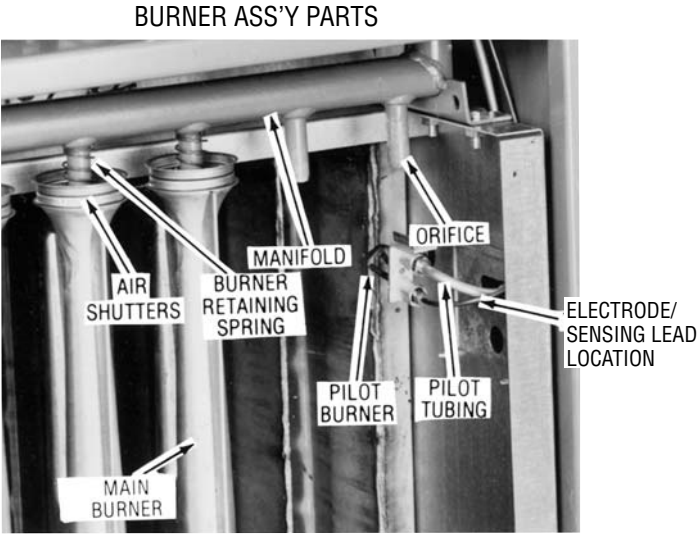
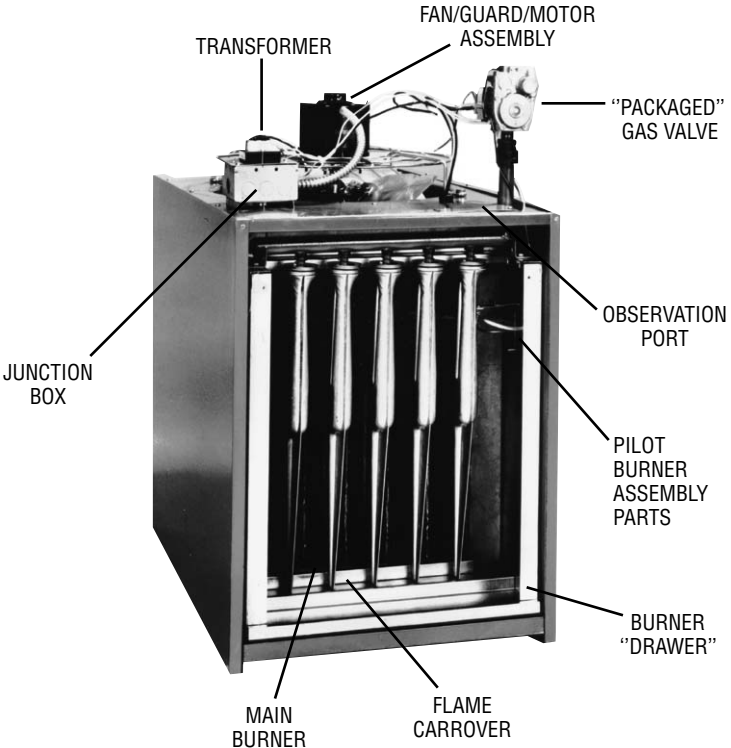
To order individual drafter parts see page 25.

“QV” Series Field Installed Accessories

Usage	Size	Part Number
Y-Splitter Nozzle		
QVF, QVB, QVEF, QVEB, QVBC, QVSF, QVSB	100	ASRQ1-100
	125/150	ASRQ1-125
	175	ASRQ1-175
	200	ASRQ1-200
	225	ASRQ1-225
	250	ASRQ1-250
	300	ASRQ1-300
	350	ASRQ1-350
	400	ASRQ1-400
30 Degree Nozzle		
QVF, QVB, QVEF, QVEB, QVBC, QVSF, QVSB	100	ASRQ2-100
	125/150	ASRQ2-125
	175	ASRQ2-175
	200	ASRQ2-200
	225	ASRQ2-225
	250	ASRQ2-250
	300	ASRQ2-300
	350	ASRQ2-350
	400	ASRQ2-400
60 Degree Nozzle		
QVF, QVB, QVEF, QVEB, QVBC, QVSF, QVSB	100	ASRQ3-100
	125/150	ASRQ3-125
	175	ASRQ3-175
	200	ASRQ3-200
	225	ASRQ3-225
	250	ASRQ3-250
	300	ASRQ3-300
	350	ASRQ3-350
	400	ASRQ3-400
90 Degree Nozzle		
QVF, QVB, QVEF, QVEB, QVBC, QVSF, QVSB	100	ASRQ4-100
	125/150	ASRQ4-125
	175	ASRQ4-175
	200	ASRQ4-200
	225	ASRQ4-225
	250	ASRQ4-250
	300	ASRQ4-300
	350	ASRQ4-350
	400	ASRQ4-400
Polytube Adapter		
QVB, QVBC, QVEB, QVSB	150	ASRQ5-150
	175	ASRQ5-175
	200	ASRQ5-200
	225	ASRQ5-225
	250	ASRQ5-250
	300	ASRQ5-300
	350	ASRQ5-350
	400	ASRQ5-400

Usage	Size	Part Number	
Vertical Louver Set w/ Springs + Brackets			
QVF, QVB, QVEF, QVEB, QVBC, QVSF, QVSB	30	ASRQ6-030	
	45	ASRQ6-045	
	60	ASRQ6-060	
	75	ASRQ6-075	
	100	ASRQ6-004	
	125	ASRQ6-005	
	150	ASRQ6-006	
	175	ASRQ6-007	
	200	ASRQ6-008	
	225	ASRQ6-009	
	250	ASRQ6-010	
	300	ASRQ6-012	
	350	ASRQ6-014	
	400	ASRQ6-016	
	Horizontal and Vertical Louvers		
	QVD, QVS, QVED, QVES, QVSD	100	ASRQ7-004
125		ASRQ7-005	
150		ASRQ7-006	
175		ASRQ7-007	
200		ASRQ7-008	
225		ASRQ7-009	
250		ASRQ7-010	
300		ASRQ7-012	
350		ASRQ7-014	
400		ASRQ7-016	
409 Stainless Steel Drip Pan			
QVD, QVS, QVED, QVES		100	ASRS4-100
	125/150	ASRS4-125	
	175	ASRS4-175	
	200	ASRS4-200	
	225	ASRS4-225	
	250	ASRS4-250	
	300	ASRS4-300	
	350	ASRS4-350	
	400	ASRS 4-400	
Concentric Vent Kits			
QVSF, QVSB, Vertical QVSD Horizontal	All Sizes	ASRM4	
		ASRM5	

Component Identification Guide



Terms

ALL SHIPMENTS ARE F.O.B. FARMVILLE, N.C. 27828
FREIGHT ROUTING SHALL BE AT THE DISCRETION OF THE SHIPPER

PRICES: Published trade prices in effect at time of receipt of order at our office are firm provided the complete order is released for fabrication and shipment within 6 months from date of receipt of written order at the factory. Releases for shipment after 6 months will be billed on the basis of trade prices in effect at time of release.

No obligation is assumed by this Corporation to sell, to anyone holding this book, any of the items listed herein at the prices stated.

TERMS: Net 30 Days.

Prepaid freight or cartage charges paid by us and added to invoice are not subject to cash discount.

TAXES: The prices listed herein exclude Federal, State, or Municipal Tax applicable to the transaction. Such taxes, where applicable to the transaction should be paid directly to the governing authority by the Purchaser.

CLAIMS: As all goods are shipped at buyer's risk they should be examined carefully before signing transportation delivery receipts. If transportation company tenders delivery of goods in bad order, buyer should insist on transportation agent making notation of conditions on delivery receipt and request an inspection within 48 hours, thus enabling buyer to secure prompt payment of transportation claims filed by him for value of damaged material.

The responsibility of this company ceases upon delivery of goods in order to transportation companies. All orders are accepted subject to delays on account of government requirements, strikes, accidents or other causes beyond our control.

RETURNED GOODS: Goods must not be returned except by written permission from the factory, and when so returned will be accepted only as stated in the following conditions:

1. Special material is not subject to return.
2. All transportation charges for returned goods must be prepaid by shipper.
3. Standard catalogued products may be returned upon written permission. After inspection at the factory, if they are found to be in good condition they will be accepted for credit, subject to a 25% handling charge.
4. No goods will be accepted for return more than 90 days after shipment.

CHANGES TO A RELEASED ORDER – Work commences on release of an order, therefore, an order that is changed will be subject to additional charges for any extra time and material expended.

LIMITED WARRANTY

The product described in this catalog are warranted by Sterling, A Mestek Co. to be free from defects in material and workmanship for a period of one (1) year from the date of shipment from Sterling's plant.

Sterling will repair or replace, at its option, any components which, upon inspection, it finds to be defective, provided that the unit has been operated within its listed capacity, has been installed in accordance with the furnished instructions, has not been misused or subject to negligence and has received reasonable and necessary maintenance. This warranty does not cover labor costs or other cost incurred in repairing, removing, installing, servicing or handling of parts or complete products.


Sterling will in no event be liable for incidental or consequential damages of any kind whatsoever.

The buyer must request written permission from Sterling to return defective components and then must send them with all transportation charges prepaid to the plant designated in the written permission.

This warranty is extended only to the original purchaser from Sterling.



260 NORTH ELM ST. WESTFIELD, MA 01085
(413) 564-5540 • FAX: (413) 562-5311
www.sterlinghvac.com

 A MESTEK COMPANY